



**XF/EP/HP 125**  
**XF/EP/HP 150**  
**XF/EP/HP/XP 200**  
**ML/MM/MH 90**  
**ML/MM/MH 110**  
**ML/MM/MH 132**  
**ML/MM/MH 160**

**PARTS LIST**  
**RECOMMENDED SPARES**

**零件手册**  
**推荐备件**

请把本手册与机器一起移交使用者。  
本技术手册内有重要的安全信息，应一直与压缩机一起保存。

**RETAIN THIS MANUAL WITH UNIT.**  
This Technical manual contains **IMPORTANT SAFETY DATA** and should be kept with the air compressor at all times.

有关更多资料，请访问在线地址：  
<http://www.air.ingersoll-rand.com>

**More Than Air. Answers.**

Online answers: <http://www.air.ingersoll-rand.com>

**99278038**

April 2001

## 目录表

TABLE OF CONTENTS	1
安全注意事项	
Safety and Warnings	2-3
引言	
Introduction	4-5
控制器和开关箱总成	
Interlisys Controller & Starter Box Assembly	6-7
启动器装配图(C85/C60)	
Starter Assembly	8-9
启动器装配图(B110/A75)	
Starter Assembly	10-11
启动器装配图(B180/B110)	
Starter Assembly	12-13
启动器装配图(B180/B180)	
Starter Assembly	14-15
启动器装配图(B250/B180)	
Starter Assembly	16-17
启动器装配图(B300/B180)	
Starter Assembly	18-19
启动器(星三角90-160KW 50Hz)	
Starter Assembly - Star-Delta(90-160KW 50Hz)	20-21
油分离器总成	
Separator Tank Assembly	22-23
主要部件装配图	
Major Component Assembly	24-25
风冷冷却器总成(125&150HP/90&110KW)	
Aircooled Cooler Assembly(125&150HP/90&110KW)	26-27
风冷冷却器总成(200HP/132&160KW)	
Aircooled Cooler Assembly(200HP/132&160KW)	28-29
水冷管路总成(125&150HP/90&110KW)	
Watercooled Piping Assembly(125&150HP/90&110KW)	30-31
水冷管路总成(200HP/132&160KW)	
Watercooled Piping Assembly(200HP/132&160KW)	32-33
进出水管路选项	
Water Piping Options	34-35
6英寸进气阀总成	
6" Inlet Valve Assembly	36-37
标准隔音罩	
Sheet Metal Assembly(Standard)	38-39
驱动总成(125-200HP/90-160KW)	
Drive Train Assembly	40-41
风冷进气系统装配图	
Aircooled Intake Assembly	42-43
水冷进气系统装配图	
Watercooled Intake Assembly	44-45
O型圈	
O-Rings	46
备件推荐表	
Recommended Spare Parts List	47-48

## 回转式螺杆式空气压缩机 ROTARY SCREW AIR COMPRESSOR

### 这台压缩机购买于:

#### This unit was purchased from

英格索兰公司保持对产品进行修改和改进的权利, 并不另行通知用户; 对以前销售的产品不承担相应的修改和改进的责任。

Ingersoll-Rand Company reserves the right to make changes or add improvements without notice and without incurring any obligation to make such improvements to products sold previously.

机组编号:

No. of units on order: \_\_\_\_\_

用户订单编号

Customer Order No. \_\_\_\_\_

英格索兰公司订单编号

Ingersoll-Rand Co. Order No. \_\_\_\_\_

### 为了便于参考, 请在此记录您的机组编号和机组型号:

For ready reference:

Record the serial number and model of your unit here

机组编号:

Serial Number. \_\_\_\_\_

机组型号:

Model Number. \_\_\_\_\_

## 安全和警告

在安装此空压机之前应当化时间仔细阅读本手册中的所有操作说明。

电和压缩空气具有造成严重人身伤害或财产损坏的潜在危险。

在安装、接线、起动、运行或作任何调节之前，请利用本手册作为指南，辨认出空压机的各个部件。

操作者应利用常识和良好的工作习惯来操作和维护本机器，遵守所有法规，用规格足够大的管子，理解起动和停机程序，根据本手册所述的程序检查各安全装置。

维护保养工作应由合格的人员且配备足够的适当工具进行。DANGER(危险)、WARNING(警告)和 CAUTION(告戒)等警戒词用来指出危险的严重程度：

### DANGER(危险)

“危险”用来指出存在如果忽视此警告就会造成严重的人身伤害，乃至死亡或严重财产损坏的危险。

### WARNING(警告)

“警告”用来指出存在如果忽视此警告就可能造成严重的人身伤害，乃至死亡或严重财产损坏的危险。

### CAUTION(告戒)

“告戒”用来指出存在如果忽视此警告就会造成小的人身伤害和财产损坏的危险。

### NOTICE(注意)

“注意”用来引起人们对有关安装，操作或维护的重要，但和危险无关的信息的注意。

## 安全措施

在安装空压缩机或进行任何维护保养之前请仔细阅读这些安全信息。

### 警告：

**压缩空气和电是危险的。**

**在此空压机上进行任何工作之前，确保电源已切断，锁住并挂好标记牌，整个空压机系统已排放所有压力。**

1. 当此机器在运行时不得拆除各种盖帽，松开或拆除任何接头或装置，机器中的高温液体和压力空气会造成严重的人身伤害乃至死亡。

2. 空压机的电机起动控制箱有高电压危险，一切安装工作都应按公认法规进行，在电气系统上进行工作之前，确保利用手动断开开关能切断系统电压，在导入空压机的电源供给线路中必须配备断路器或熔断器开关。负责本设备安装的人必须根据 NEC 的规定为所有电气部件提供适当的接地，维护空间和避雷装置。

3. 不得在高于空压机铭牌所规定的排气压力下运行空压机，否则会产生电机过载，这种情况会引起空压机电机停电。

4. 只能使用安全的溶剂来清洁空压机和辅助设备。

5. 在排气管中应安装手动截止阀（隔断型），如果在截止阀和空压机之间装有安全阀，该安全阀必须有足够的能力来释放空压机的最大连续供气流量。

6. 一旦有压力通过安全阀释放，这是由于系统内压力过高，必须立即查明造成压力过高的原因。

7. 在本空压机上进行任何机械工作之前：

关闭空压机；

利用手动断开开关将供电线路隔断，锁止并挂好标记牌，使机器无法运行；

释放空压机内压力，将机器与任何其它气源隔断。

8. 如果空压机润滑油进入工厂空气系统会有不利影响。经正确选用并安装好的油分离器可将空气中任何液态携带物降至最低限度。管路过滤器上使用不带金属罩的塑料壳体可能有危险，从安全观点来看，在任何压力系统上都应使用金属壳体。为此，建议你对工厂气路系统再检查一遍。

9. 如果装有贮气罐，应在安装和维护此气罐时遵照中华人民共和国劳动部颁发的“压力容器监察规程”中的规定。

10. 起动空压机之前应仔细阅读本维护保养说明书并透彻理解之。

11. 维护保养工作完成后，必须把各种盖板和罩壳重新安装好。

# SAFETY AND WARNINGS

Before you install this air compressor you should take the time to carefully read all the instructions contained in the operators manual form APDD-738. Operators manuals may be obtained from your local Ingersoll-Rand Distributor or Air Center.

Electricity and compressed air have the potential to cause severe personal injury or property damage.

Before installing, wiring, starting, operating or making any adjustments, identify the components of the air compressor using the operators manual as a guide.

The operator should use common sense and good working practices while operating and maintaining this unit. Follow all codes, pipe adequately, understand the starting and stopping sequence. Check the safety devices by following the procedure contained in this operators manual.

Maintenance should be done by qualified personnel, adequately equipped with proper tools. Follow the maintenance schedules as outlined in the operators manual to ensure problem free operation after start up.

Safety instructions in the operators manual are bold-faced for emphasis. The signal words **DANGER**, **WARNING** and **CAUTION** are used to indicate hazard seriousness levels as follows:



**Danger** is used to indicate the presence of a hazard which *will cause severe personal injury, death, or substantial property damage* if the warning is ignored.



**Warning** is used to indicate the presence of a hazard which *can cause severe personal injury, death, or substantial property damage* if the warning is ignored.



**Caution** is used to indicate the presence of a hazard which *will or can cause minor personal injury or property damage* if the warning is ignored.



**Notice** is used to notify people of installation, operation, or maintenance information which is important but not hazard-related.

## SAFETY PRECAUTIONS

### BEFORE PROCEEDING, READ CAREFULLY BEFORE INSTALLING THE COMPRESSOR OR PERFORMING ANY MAINTENANCE

#### WARNING

**COMPRESSED AIR AND ELECTRICITY ARE DANGEROUS.**

**BEFORE DOING ANY WORK ON THIS UNIT, BE SURE THE ELECTRICAL SUPPLY HAS BEEN CUT OFF-LOCKED & TAGGED AND THE ENTIRE COMPRESSOR SYSTEM HAS BEEN VENTED OF ALL PRESSURE.**

1. Do not remove the covers, loosen or remove any fittings, connections or devices when this unit is in operation. Hot liquid and air under pressure that are contained within this unit can cause severe injury or death.

2. The compressor has high and dangerous voltage in the motor starter and control box. All installations must be in accordance with recognized electrical codes. Before working on the electrical system, be sure to remove voltage from the system by use of a manual-disconnect-switch. A circuit breaker or fuse safety switch must be provided in the electrical supply line leading to the compressor.

Those responsible for installation of this equipment must provide suitable grounds, maintenance clearance and lightning arrestors for all electrical components as stipulated in O.S.H.A. 1910.308 through 1910.329.

3. Do not operate the compressor at higher discharge pressure than those specified on the Compressor Nameplate or motor overload will occur. This condition will result in compressor motor shutdown.

4. Use only safety solvent for cleaning the compressor and auxiliary equipment.

5. Install a manual shut off valve (isolation type) in the discharge line. A pressure relief valve, with sufficient capacity to relieve full compressor capacity, must be installed between the compressor and the isolation valve.

6. Whenever pressure is released through the pressure relief valve, it is due to excessive pressure in the system. The cause for the excessive pressure should be investigated immediately.

7. Before doing any mechanical work on the compressor:

a.) Shut the unit down.

b.) Electrically isolate the compressor by use of the manual disconnect switch in the power line to the unit. Lock and tag the switch so that it cannot be operated.

c.) Vent pressure from the compressor and isolate the unit from any other source of air.

8. Air line separators, properly selected and installed, will minimize any liquid carry-over.

The use of plastic bowls on line filters without metal guards can be hazardous. From a safety standpoint, metal bowls should be used on any pressurized system. Review of your plant air line system is recommended.

9. When a receiver is installed, it is recommended that occupational safety and health standards as covered in the Federal Register, Volume 36, number 105, part 11, paragraph 1910.169 be adhered to in the installation and maintenance of this receiver.

10. Before starting the compressor, its maintenance instructions should be thoroughly read and understood.

11. After maintenance functions are completed, covers and guards must be replaced.

## 引言

### 概述

这本零件手册以图解方式编制，供用户向本公司订购零件和了解本公司固定式产品作参考。本手册中图解列出的所有零件其制造质量均与机组原装零件的质量一致。

英格索兰服务机构和备件服务遍布全球。在中国主要城市设有本公司的分支机构和授权代理商。购买本公司生产的固定式压缩机零部件时，请参照本手册的说明，同本公司分支机构和授权代理商接洽联系。

### 说明

本手册的零件图图解了我公司固定式压缩机的各种系统部件，组件和零件。这一组零件图清楚地表明了每个零件以及它与图中其它相邻零件之间的位置。在每个零件图里，每个零件都有一个序号，一个八位数组成的零件号，零件名称和每个组件所需该零件的数量。

### 设备选项

对于特殊应用场合，本公司可提供压缩机后处理设备，方便用户选用。这些后处理设备经精心选择，特别适合本公司生产的压缩机。

请与本公司的销售人员接洽联系，获取有关这些设备选项的详细内容。

### 如何使用本零件手册

1. 参考目录，找出所需章节。
2. 翻到所需章节，并参照零件图的目录，找到该零件所属系统的所在页。
3. 辨别出该零件在图上的位置，找出其序号，零件号和名称。

### 如何订购零件

在订购零件时，请详细写明下列内容以免有误：

1. 压缩机铭牌上的机组型号
2. 压缩机铭牌上的机组编号
3. 本手册页面上的零件号
4. 零件序号，零件号，零件名称和所需的正确数量。
5. 电机铭牌上的电机规范参数。

# **PARTS LIST**

## **INTRODUCTION**

### **GENERAL**

This manual, which contains an illustrated parts breakdown, has been prepared as an aid in identifying and ordering parts in the SSR compressor. All of the compressor parts listed in the parts breakdown, are manufactured with the same precision as the original equipment.

Ingersoll-Rand Company service facilities and parts are available worldwide. There are Shanghai Ingersoll-Rand Company Branch Offices and authorized distributors located in the principle cities of China.

To purchase spare parts refer to section of "How to order parts" and contact to Shanghai Ingersoll-Rand Company Branch Offices and authorized distributors near your place.

### **DESCRIPTION**

The illustrated parts breakdown illustrates the various assemblies, sub-assemblies and detailed parts which make up this particular SSR compressor. A series of illustrations show each part clearly and in it's correct location relative to the other parts in the illustration. Each part on an illustration is referenced with a number. The number, description and quantity needed per assembly is listed in numerical order on the following pages.

### **OPTIONAL EQUIPMENT**

Several optional accessories items are available for convenience or special application. These accessories have been selected as being particularly suitable for use on the SSR compressor.

For complete details on Optional Equipment, contact your Sales Representative.

### **HOW TO USE THIS PARTS MANUAL**

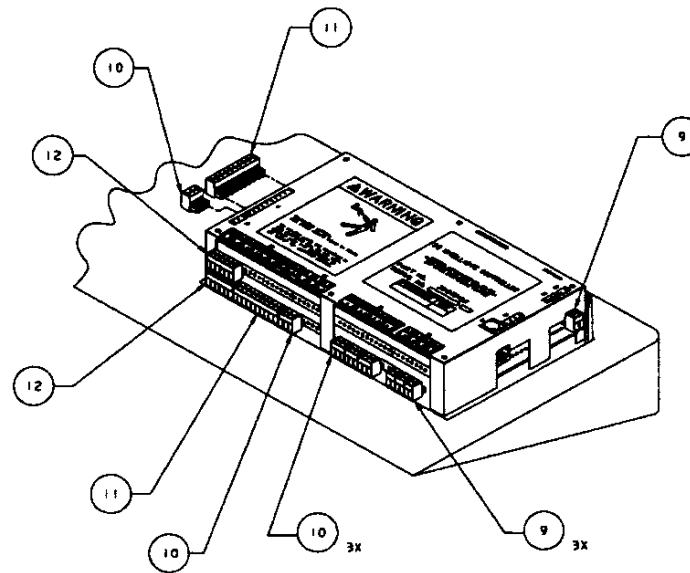
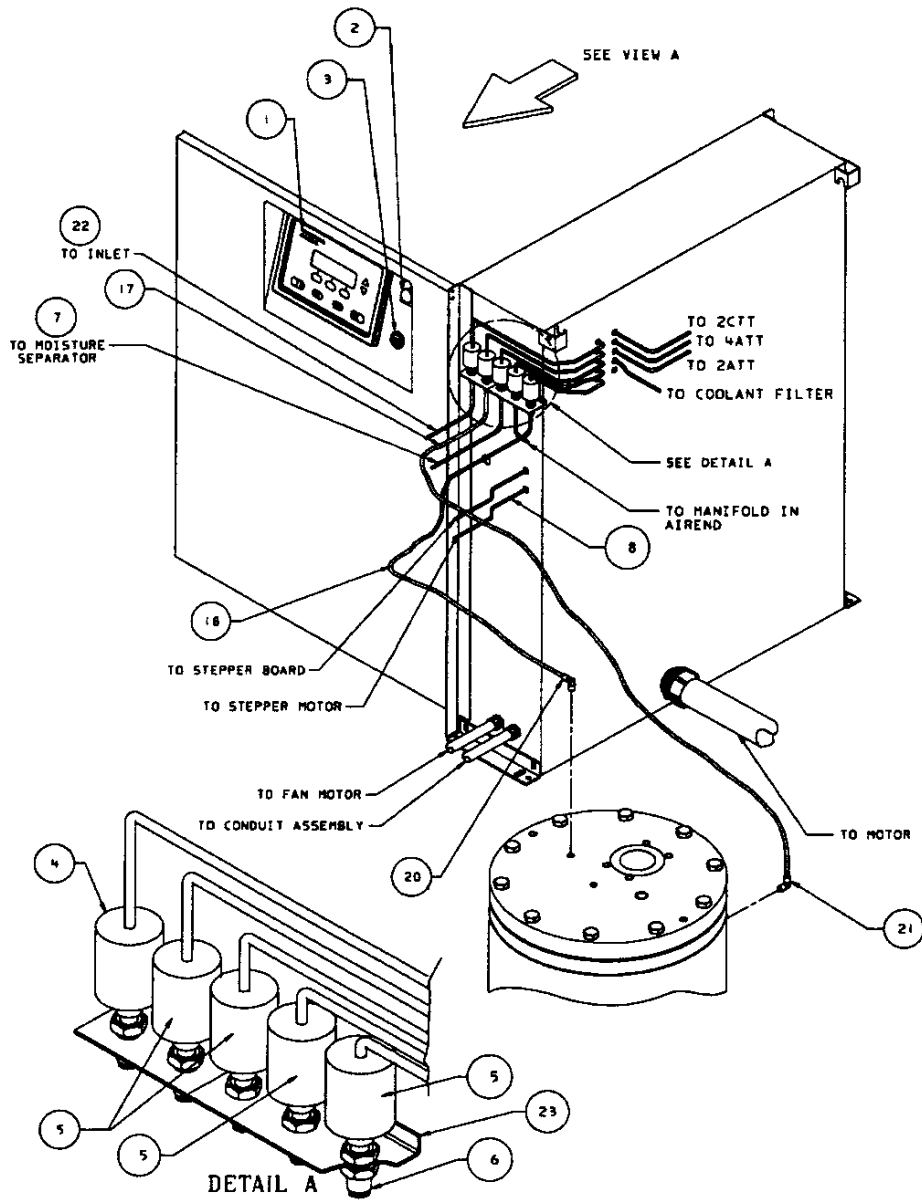
1. Turn to the Parts Section to locate the desired illustrations.
2. Locate the part on the illustration by visual identification and the reference number.
3. Find the referenced number on the Tabulated page, along with the Part Number and Description.

### **HOW TO ORDER PARTS**

In order that all avoidable errors be eliminated when ordering parts, please specify the following:

1. The model number of the unit as shown on the Compressor Data Plate.
2. The serial number of the unit as shown on the Compressor Data Plate.
3. The form number of this manual.
4. The reference number, part number, description and quantity needed exactly as listed.
5. The motor data code shown on the motor data plate.

39894613
REV 03



**智能控制器和开关箱组件**  
**INTELLISYS CONTROLLER AND STARTER BOX ASSEMBLY**

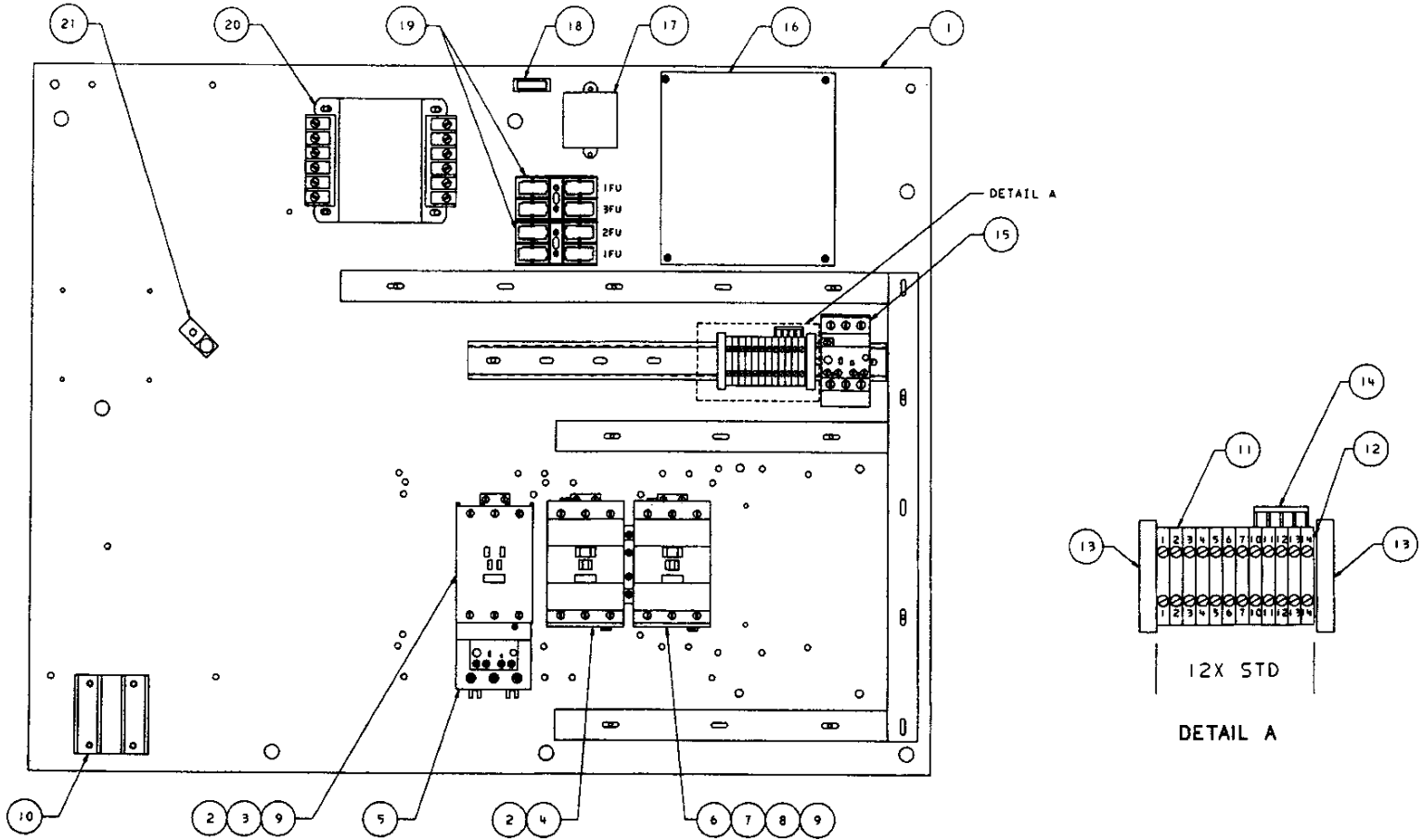
序号 REF. NO.	零件号 PART NUMBER	数量 QTY.	名称 DESCRIPTION
1	39875158	1	智能控制器 ASSEMBLY, INTELLISYS CONTROLLER
1A	39874375	1	垫圈 GASKET
1B	39128988	6	螺栓 BOLT
1C	95379392	6	垫圈 WASHER, STAR
2	39485032	1	指示灯 LIGHT, AMBER COMPLETE
2A	39485024	1	灯泡 BULB, 24V
3	39549167	1	紧急停车开关 SWITCH, EMERGENCY STOP
4	39877618	1	压力传感器 TRANSDUCER, 0- 15 PSIG
4A	39875570	1	压力传感器电缆 CABLE, TRANSDUCER
5	39875539	4	压力传感器 (两级) TRANSDUCER, 0- 225 PSIG (TWO STAGE)
5A	39875539	3	压力传感器 (单级) TRANSDUCER, 0- 225 PSIG (SINGLE STAGE)
5B	39875570	4	传感器电缆 (两级) CABLE, TRANSDUCER (TWO STAGE)
5C	39875570	4	传感器电缆 (单级) CABLE, TRANSDUCER (SINGLE STAGE)
6	39461868	5	快插过渡接头 (单级) BULKHEAD CONNECTOR (FOR MTG TRANSDUCER) (TWO STAGE)
6A	39461868	4	快插过渡接头 (两级) BULKHEAD CONNECTOR (FOR MTG TRANSDUCER) (SINGLE STAGE)
6B	95922761	5	垫圈 (两级) WASHER, STAR (TWO STAGE)
6C	95922761	4	垫圈 (单级) WASHER, STAR (SINGLE STAGE)
7	39124813	X	尼龙管 NYLON, TUBE
	39497847	X	特氟龙低温尼龙管 TUBING, FLEXIBLE TEFLON (LOW AMBIENT)
8	39476221	1	步进机电缆 CABLE, STEPPER MOTOR
9	39242367	4	2 针接头 PLUG, 2 POSITION
10	39204441	5	3 针接头 PLUG, 3 POSITION
11	39242375	2	10 针接头 PLUG, 10 POSITION
12	39186093	2	6 针接头 PLUG, 6 POSITION
17	39124813	X	尼龙管 TUBING, NYLON (NEMA 1 AND 4)
	39497847	X	特氟龙低温尼龙管 TUBING, FLEXIBLE TEFLON (LOW AMBIENT)
18	39124813	X	尼龙管 TUBING, NYLON (NEMA 1 AND 4)
	39497847	X	特氟龙低温尼龙管 TUBING, FLEXIBLE TEFLON (LOW AMBIENT)
20	39155478	1	快插直角接头 ELBOW, 90、(NEMA 1 AND 4)
21	39155478	1	快插直角接头 ELBOW, 90、(NEMA 1 AND 4)
22	39124813	1	尼龙管 TUBING, NYLON (NEMA 1 AND 4)
39	497847	X	特氟龙低温尼龙管 FLEXIBLE TEFLON (LOW AMBIENT)
23	54428537	1	传感器支架 BRACKET, TRANSDUCER

NOTES:

1. X - ORDER PER NUMBER OF INCHES REQUIRED 根据需要订购, 单位英寸。
2. STANDARD FASTENERS SUCH AS NUTS, BOLTS AND SCREWS ARE LISTED AS SUB- ITEMS (EXAMPLE: 2A).  
标准的紧固件如螺母、螺栓、螺钉列于附项 (如: 2A)。
3. ALL CONTROL TUBING FOR LOW AMBIENT UNITS TO BE TEFLON FLEXIBLE TUBING, STAINLESS STEEL TUBING OR METAL FLEX. ALL CONTROL TUBING TO BE HEAT TRACED.  
全部低温环境机组控制管路应用特氟龙尼龙管, 不锈钢管, 或柔性金属材料。



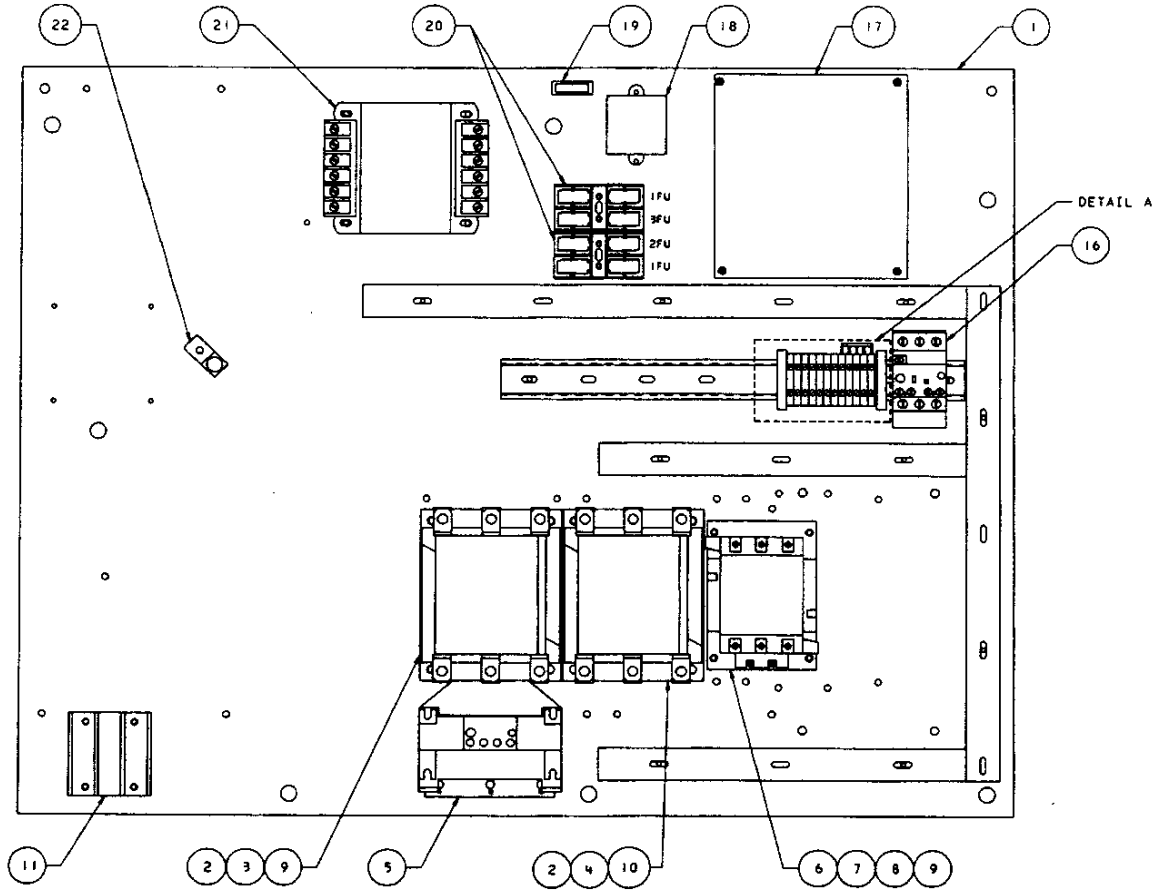
39910237  
REV 02



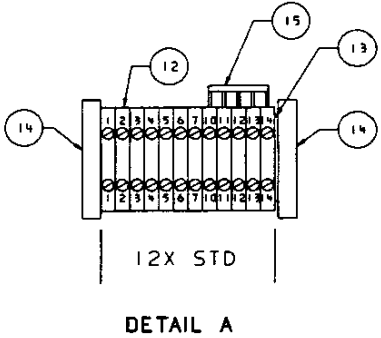
**启 动 组 件**  
**STARTER ASSEMBLY C85/ C60 SD**

序号 REF. NO.	零件号 PART NUMBER	数量 QTY.	名 称 DESCRIPTION
1	54367628	1	底板 BACKPANEL
2	39251020	2	接触器 CONTACTOR, 85 AMP
2A	39251335	2	接触器绕组 COIL, CONTACTOR
3	39251129	1	辅助触点 CONTACTOR, AUXILIARY (4 N. O.)
4	39251137	1	辅助触点 CONTACTOR, AUXILIARY - 1N. O., 1N. C.
5	39251087	1	过载继电器 RELAY, OVERLOAD
6	39251186	1	连锁装置 INTERLOCK, MECHANICAL
7	39251004	1	接触器 CONTACTOR, 60 AMP
7A	39251335	1	接触器绕组 COIL, CONTACTOR
8	39251145	1	辅助触点 CONTACTOR, AUXILIARY - 2N. O., 2N. C.
9	39203443	2	干扰抑制器 SUPPRESSOR, ARC
10	39164520	1	电机接线柱 BLOCK, MOTOR TIE OFF
11	39252903	12	接线柱 BLOCK, TERMINAL
12	39252929	1	绝缘端片 SECTION, END
13	39252937	2	档块 BLOCK, END STOP
14	39252945	1	连接片 JUMPER, 5- POLE
15	39251228	1	风扇电机 STARTER, FAN MOTOR 1.7- 2.5A
	39251244	1	风扇电机 STARTER, FAN MOTOR 4.1- 6.3A
15A	39251285	1	辅助触点 CONTACTOR, AUXILIARY (N. O.)
16	39874425	1	步进电机电源组件 ASSEMBLY, POWER SUPPLY
16A	39173810	4	固定螺柱 STANDOFF
17	39201918	1	滤波器 FILTER, RFI
18	39196225	1	电源指示灯 LIGHT, POWER ON
19	39480504	2	熔断器座 HOLDER, FUSE- 2 POLE
19A	39178728	2	熔断器芯 FUSE, 600V - 2.5A (1FU)
19B	39113527	1	熔断器芯 FUSE, 250V - 3.2A (2FU)
19C	39242458	1	熔断器芯 FUSE, 600V - 5A (3FU)
20	39318100	1	变压器 TRANSFORMER, 380VA, 50HZ, 380, 415, 550V
	39475975	1	变压器 TRANSFORMER, 380VA, 60HZ, 200, 230, 460, 575V
	39483292	1	变压器 TRANSFORMER, 380VA, 380V- 60HZ, 220V- 50HZ
21	39190939	1	接地块 LUG, GROUND
21A	39141809	1	接地块螺栓 BOLT, GROUND LUG
21B	39128541	1	接地块螺母 NUT, GROUND LUG

39910245  
REV 02



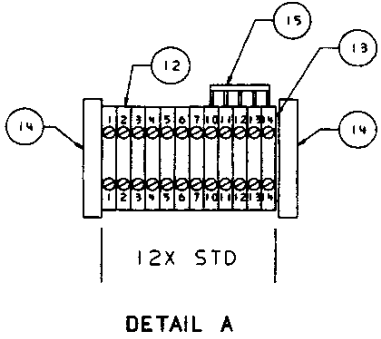
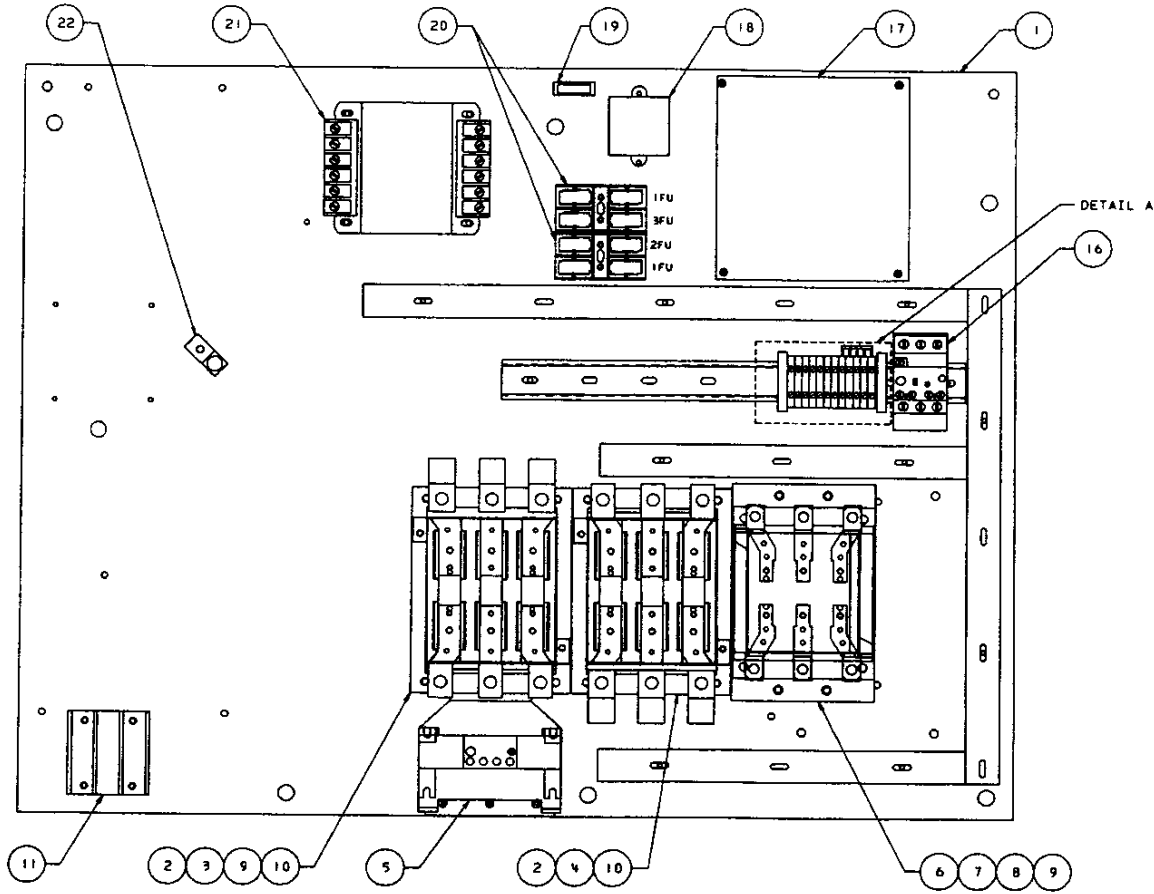
DETAIL A



**启 动 组 件**  
**STARTER ASSEMBLY B110/ A75 SD**

序号 REF. NO.	零件号 PART NUMBER	数量 QTY.	名 称 DESCRIPTION
1	54367628	1	底板 BACKPANEL
2	39251038	2	接触器 CONTACTOR, 110 AMP
2A	39251350	2	接触器绕组 ASSEMBLY, COIL
2B	39251392	2	接触器组件 KIT, CONTACT
3	39251160	1	辅助触点 CONTACTOR, AUXILIARY (N. O.)
4	39251152	1	辅助触点 CONTACTOR, AUXILIARY (N. O.)
5	39251095	1	过载继电器 RELAY, OVERLOAD
6	39251194	1	连锁装置 INTERLOCK, MECHANICAL
7	39251525	1	接触点 CONTACTOR, 75 AMP
7A	39251343	1	接触点绕组 COIL, CONTACTOR
7B	39251384	1	接触器组件 KIT, CONTACT
8	39251178	1	辅助触点 CONTACTOR, AUXILIARY (N. O., N. C.)
9	39203443	2	干扰抑制器 SUPPRESSOR, ARC
10	39251434	1	接触端子组件 KIT, TERMINAL LUG
11	39164520	1	电机接线柱 BLOCK, MOTOR TIE OFF
12	39252903	12	连线柱 BLOCK, TERMINAL
13	39252929	1	绝缘端片 SECTION, END
14	39252937	2	档块 BLOCK, END STOP
15	39252945	1	连接片 JUMPER, 5- POLE
16	39251228	1	风扇开关 STARTER, FAN MOTOR 1.7- 2.5A
	39251251	1	风扇开关 STARTER, FAN MOTOR 6.4- 10A
	39251269	1	风扇开关 STARTER, FAN MOTOR 10.1- 16A
16A	39251285	1	辅助触点 CONTACTOR, AUXILIARY (N. O.)
17	39874425	1	步进电机电源组件 ASSEMBLY, POWER SUPPLY
17A	39173810	4	固定螺栓 STANDOFF
18	39201918	1	滤波器 FILTER, RFI
19	39196225	1	电源指示灯 LIGHT, POWER ON
20	39480504	2	熔断器座 HOLDER, FUSE- 2 POLE
20A	39178728	2	熔断器芯 FUSE, 600V - 2.5A (1FU)
20B	39113527	1	熔断器芯 FUSE, 250V - 3.2A (2FU)
20C	39242458	1	熔断器芯 FUSE, 600V - 5A (3FU)
21	39318100	1	变压器 TRANSFORMER, 380VA, 50HZ, 380, 415, 550V
	39475975	1	变压器 TRANSFORMER, 380VA, 60HZ, 200, 230, 460, 575V
	39483292	1	变压器 TRANSFORMER, 380VA, 380V- 60HZ, 220V- 50HZ
22	39190939	1	接地块 LUG, GROUND
22A	39141809	1	接地块螺栓 BOLT, GROUND LUG
22B	39128541	1	接地块螺母 NUT, GROUND LUG

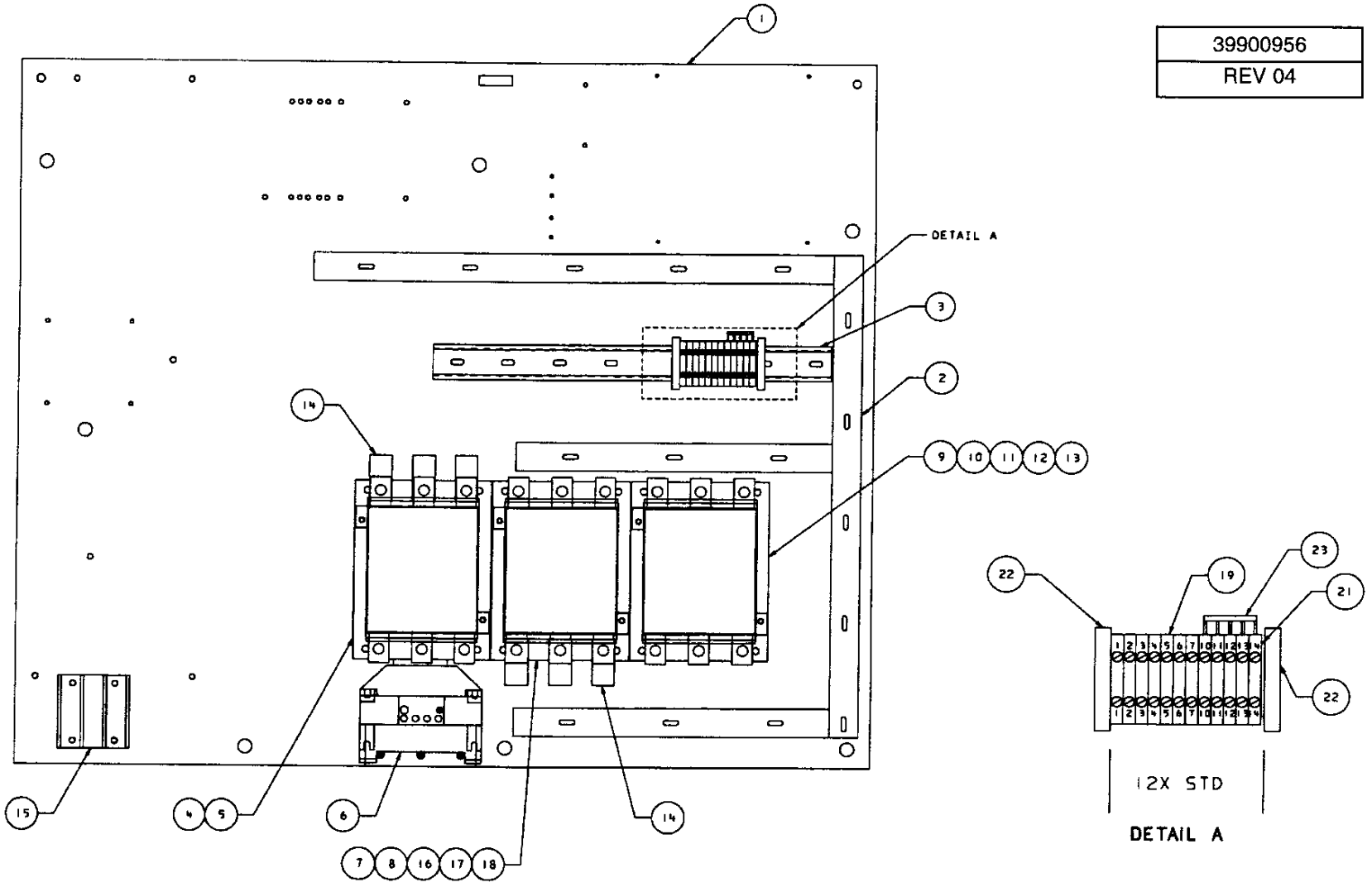
39910252  
REV 02



**启 动 组 件**  
**STARTER ASSEMBLY B180/ B110 SD**

序号 REF. NO.	零件号 PART NUMBER	数量 QTY.	名称 DESCRIPTION
1	54367628	1	底板 BACKPANEL
2	39251046	2	接触器 CONTACTOR, 180 AMP
2A	39251368	2	接触器绕组 ASSEMBLY, COIL
2B	39251400	2	接触器组件 KIT, CONTACT
3	39251160	1	辅助触点 CONTACTOR, AUXILIARY (N. O.)
4	39251152	1	辅助触点 CONTACTOR, AUXILIARY (N. O.)
5	39251103	1	过载继电器 RELAY, OVERLOAD
6	39251194	1	连锁装置 INTERLOCK, MECHANICAL
7	39251038	1	接触器 CONTACTOR, 110 AMP
7A	39251350	1	接触器绕组 COIL, CONTACTOR
7B	39251392	1	接触器组件 KIT, CONTACT
8	39251178	1	辅助触点 CONTACTOR, AUXILIARY (N. O., N. C.)
9	39203443	2	干扰抑制器 SUPPRESSOR, ARC
10	39251442	2	接线端子组件 KIT, TERMINAL LUG
11	39164520	1	电机接线柱 BLOCK, MOTOR TIE OFF
12	39252903	12	接线柱 BLOCK, TERMINAL
13	39252929	1	绝缘端片 SECTION, END
14	39252937	2	档块 BLOCK, END STOP
15	39252945	1	连接片 JUMPER, 5- POLE
16	39251228	1	风扇开关 STARTER, FAN MOTOR 1.7- 2.5A
	39251244	1	风扇开关 STARTER, FAN MOTOR 4.1- 6.3A
	39251269	1	风扇开关 STARTER, FAN MOTOR 10.1- 16A
	39251277	1	风扇开关 STARTER, FAN MOTOR 16.1- 20A
16A	39251285	1	辅助触点 CONTACTOR, AUXILIARY (N. O.)
17	39874425	1	步进电机电源组件 ASSEMBLY, POWER SUPPLY
17A	39173810	4	固定螺柱 STANDOFF
18	39201918	1	滤波器 FILTER, RFI
19	39196225	1	电源指示灯 LIGHT, POWER ON
20	39480504	2	熔断器座 HOLDER, FUSE- 2 POLE
20A	39178736	2	熔断器芯 FUSE, 600V - 3.5A (1FU)
20B	39118484	1	熔断器芯 FUSE, 250V - 5A (2FU)
20C	39242458	1	熔断器芯 FUSE, 600V - 5A (3FU)
21	39318118	1	变压器 TRANSFORMER, 580VA, 50HZ, 380, 415, 550V
	39475983	1	变压器 TRANSFORMER, 580VA, 60HZ, 200, 230, 460, 575V
	39485800	1	变压器 TRANSFORMER, 580VA, 380V- 60HZ, 220V- 50HZ
22	39190939	1	接地块 LUG, GROUND
22A	39141809	1	接地块螺栓 BOLT, GROUND LUG
22B	39128541	1	接地块螺母 NUT, GROUND LUG

39900956
REV 04



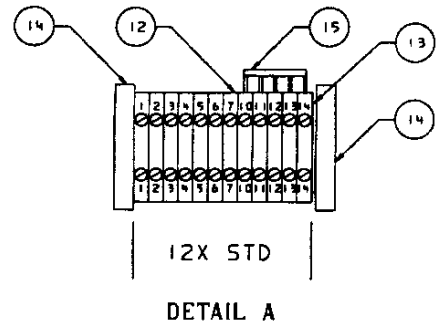
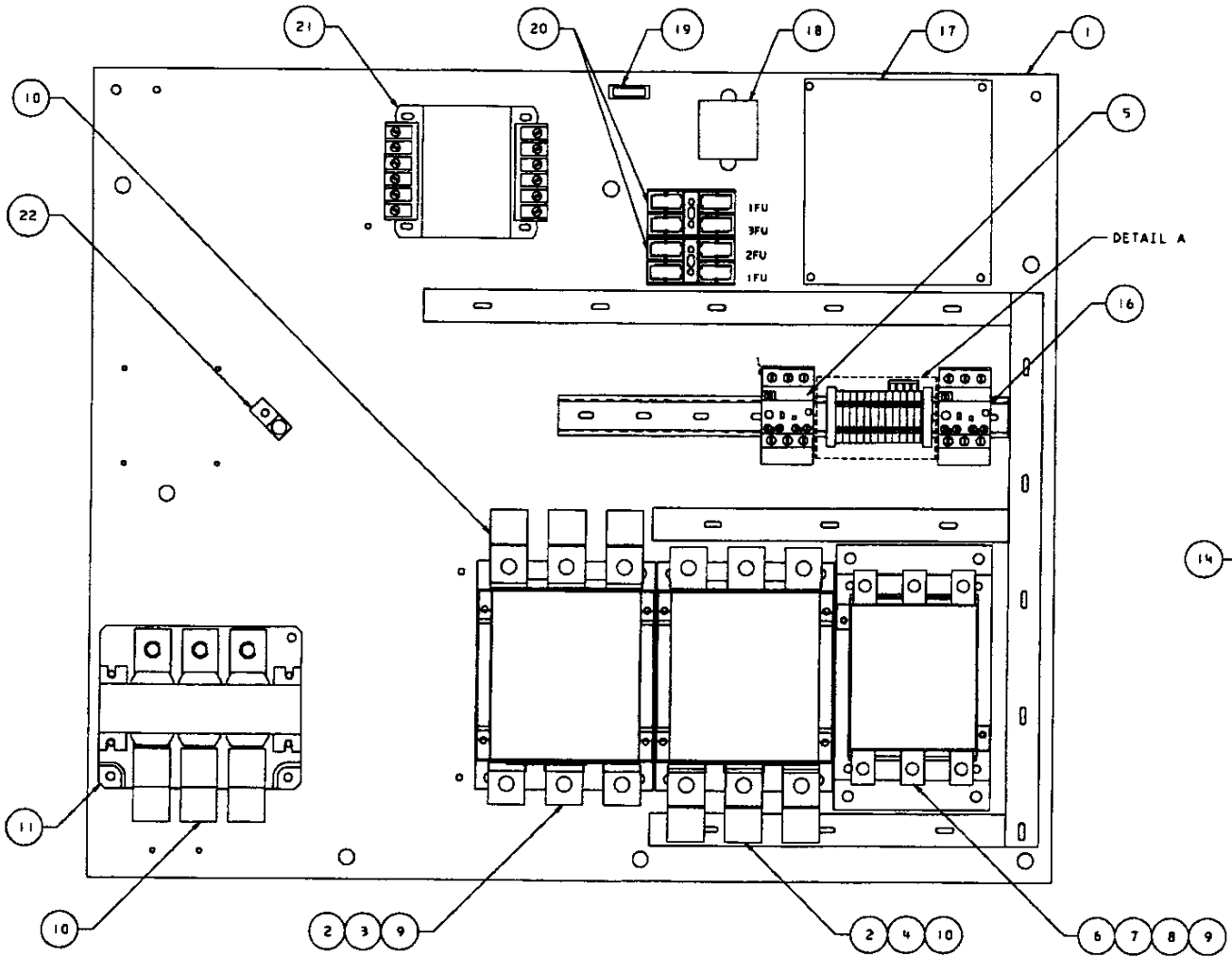
NOTES:  
 1. SEE I-R P/N 39587837 FOR WIRING INFORMATION

**启 动 组 件**  
**STARTER ASSEMBLY B180/ B180 SD**

序号 REF. NO.	零件号 PART NUMBER	数量 QTY.	名 称 DESCRIPTION
1	54367628	1	底板 BACKPANEL
2	39127188 AS REQ		走线槽 DUCT, WIRING
3	N/ A	1	接线轨 RAIL, DIN
4	39251046	1	接触器 CONTACTOR, 1M
5	39251160	1	辅助触点 CONTACTOR, AUXILIARY (NORMALLY OPEN)
6	39251103	1	过载继电器 RELAY, OVERLOAD
7	39251046	1	接触器 CONTACTOR, 2M
8	39251152	1	辅助触点 CONTACTOR, AUXILIARY (NORMALLY OPEN)
9	39251194	1	连锁装置 INTERLOCK, MECHANICAL
10	39251046	1	接触器 CONTACTOR, 1S
11	39251178	1	辅助触点 CONTACTOR, AUXILIARY
12	N/ A	1	短接条 SHORTING BAR
13	39203443	2	干扰抑制器 ARC SUPPRESSOR
14	39251442	2	接线组件 TERMINAL LUG KIT
15	39164520	1	MOTOR TIE OFF BLOCK
16	N/ A	2	过流条 BUS BAR
17	N/ A	2	过流条 BUS BAR
18	N/ A	2	过流条 BUS BAR
19	39252903	12	档块 BLOCK, TERMINAL
21	39252929	1	绝缘端片 END SECTION
22	39252937	2	档块 BLOCK, END STOP
23	39252945	1	连接片 JUMPER, 5- POLE



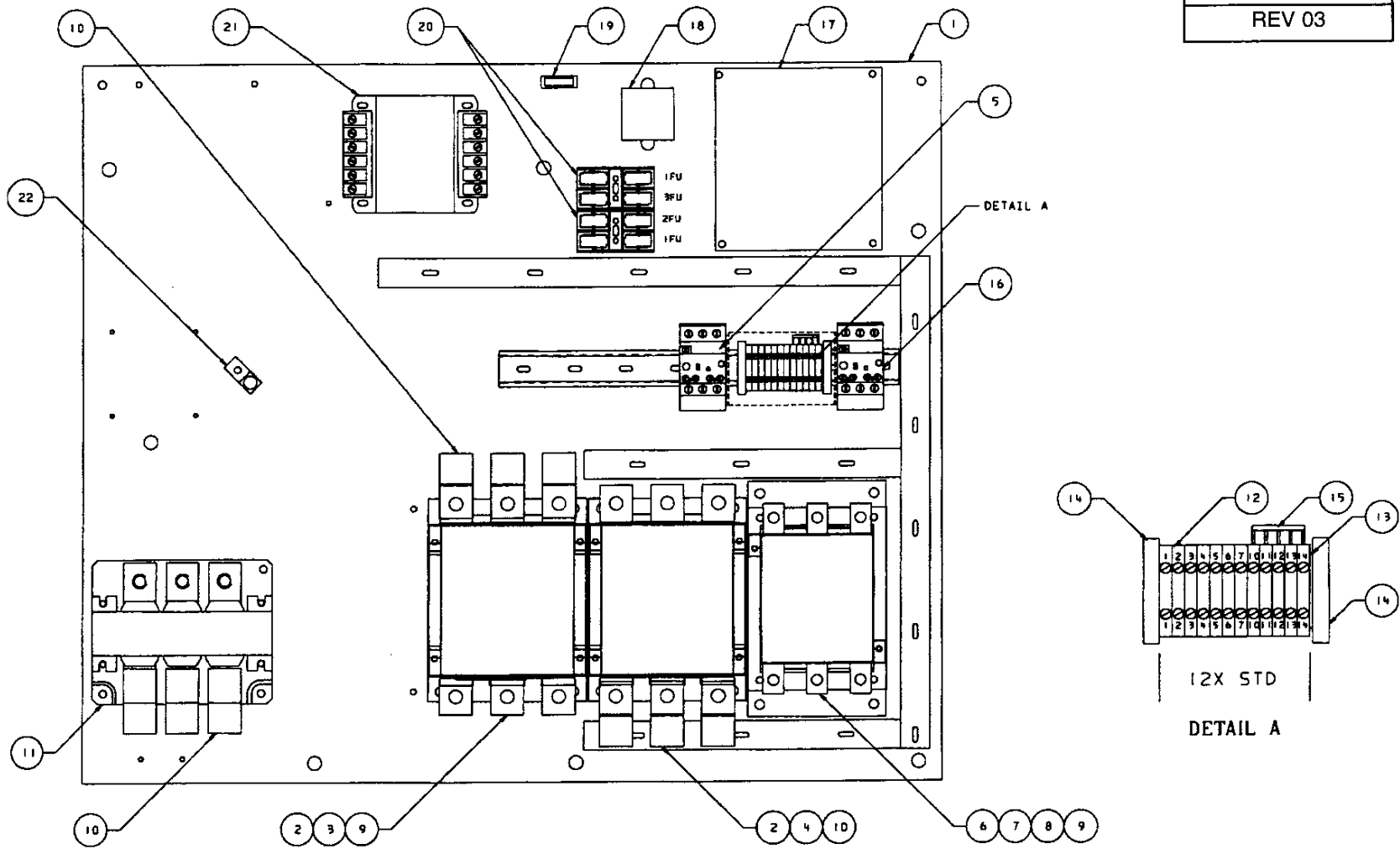
39910260  
REV 03



**启动组件**  
**STARTER ASSEMBLY B250/ B180 SD**

序号 REF. NO.	零件号 PART NUMBER	数量 QTY.	名称 DESCRIPTION
1	54367628	1	底板 BACKPANEL
2	39251053	2	接触点 CONTACTOR, 250 AMP
2A	39251376	2	接触器绕组 ASSEMBLY, COIL
2B	39251418	2	接触组件 KIT, CONTACT
3	39251160	1	辅助触点 CONTACTOR, AUXILIARY (N. O.)
4	39251152	1	辅助触点 CONTACTOR, AUXILIARY (N. O.)
5	39253158	1	过载继电器 RELAY, OVERLOAD
6	39251194	1	连锁装置 INTERLOCK, MECHANICAL
7	39251046	1	接触器 CONTACTOR, 180 AMP
7A	39251368	1	接触绕组 COIL, CONTACTOR
7B	39251400	1	接触组件 KIT, CONTACT
8	39251178	1	辅助触点 CONTACTOR, AUXILIARY (N. O., N. C.)
9	39203443	2	干扰抑制器 SUPPRESSOR, ARC
10	39251459	3	接线端子组件 KIT, TERMINAL LUG
11	39253174	1	电流互感器 TRANSFORMER, CURRENT
12	39252903	12	接线柱 BLOCK, TERMINAL
13	39252929	1	绝缘端片 SECTION, END
14	39252937	2	档块 BLOCK, END STOP
15	39252945	1	连接片 JUMPER, 5- POLE
16	39251244	1	风扇开关 STARTER, FAN MOTOR 4.1- 6.3A
	39252887	1	风扇开关 STARTER, FAN MOTOR 19.1- 32A
16A	39251285	1	辅助触点 CONTACTOR, AUXILIARY (N. O.) - USED WITH STARTER #39251244
	39924758	1	辅助触点 CONTACTOR, AUXILIARY (N. O. - N. C.) USED WITH STARTER #39252887
16B	39924741	1	开关 SWITCH, TRIP - USED WITH STARTER PART #39252887
17	39874425	1	步进机电源组件 ASSEMBLY, POWER SUPPLY
17A	39173810	4	固定螺栓 STANDOFF
18	39201918	1	滤波器 FILTER, RFI
19	39196225	1	电源指示灯 LIGHT, POWER ON
20	39480504	2	熔断器座 HOLDER, FUSE- 2 POLE
20A	39178736	2	熔断器芯 FUSE, 600V - 3.5A (1FU)
20B	39118484	1	熔断器芯 FUSE, 250V - 5A (2FU)
20C	39242458	1	熔断器芯 FUSE, 600V - 5A (3FU)
21	39318118	1	变压器 TRANSFORMER, 580VA, 50HZ, 380, 415, 550V
	39475983	1	变压器 TRANSFORMER, 580VA, 60HZ, 200, 230, 460, 575V
	39485800	1	变压器 TRANSFORMER, 580VA, 380V- 60HZ, 220V- 50HZ
22	39190939	1	接地块 LUG, GROUND
22A	39141809	1	接地块螺栓 BOLT, GROUND LUG
22B	39128541	1	接地块螺母 NUT, GROUND LUG

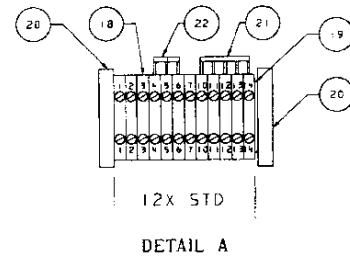
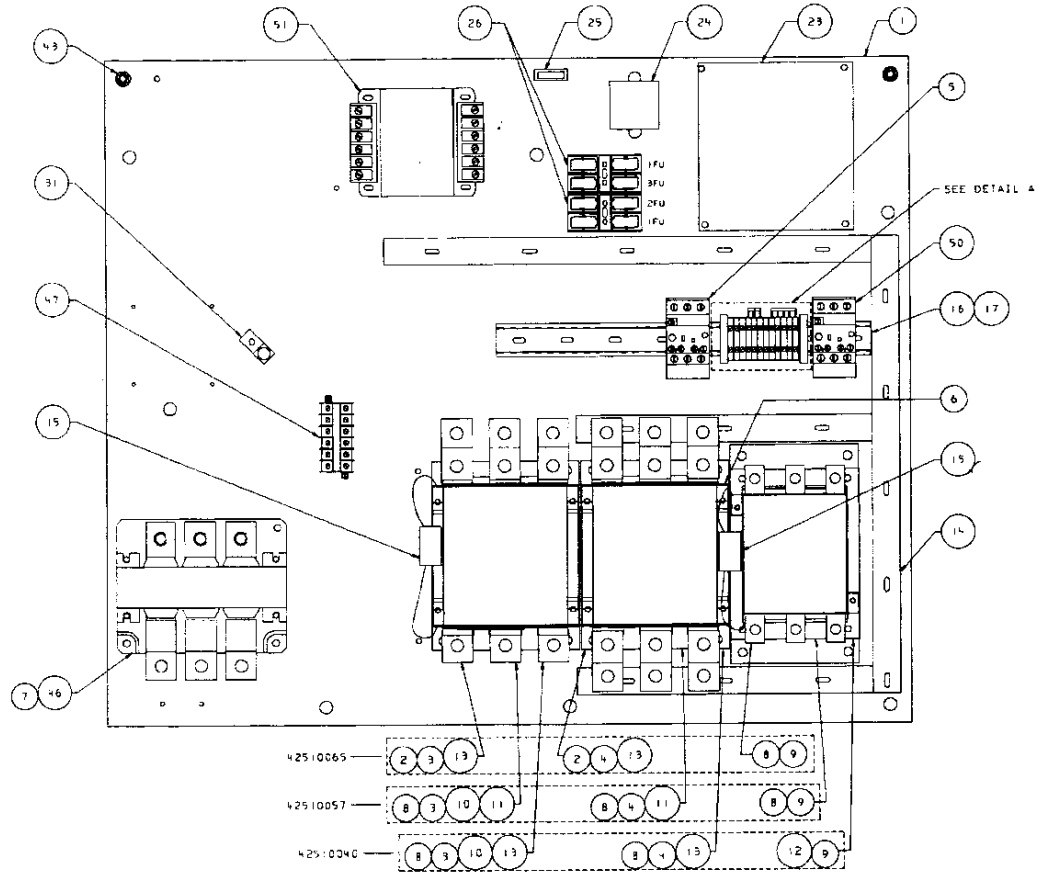
39910278  
REV 03



**启 动 组 件**  
**STARTER ASSEMBLY B300/ B180 SD**

序号 REF. NO.	零件号 PART NUMBER	数量 QTY.	名 称 DESCRIPTION
1	54367628	1	底板 BACKPANEL
2	39252879	2	接触器 CONTACTOR, 300 AMP
2A	39251376	2	接触器绕组 ASSEMBLY, COIL
2B	39251384	2	接触器组件 KIT, CONTACT
3	39251160	1	接触触点 CONTACTOR, AUXILIARY (N. O.)
4	39251152	1	接触触点 CONTACTOR, AUXILIARY (N. O.)
5	39253158	1	过载继电器 RELAY, OVERLOAD
6	39251194	1	连锁装置 INTERLOCK, MECHANICAL
7	39251046	1	接触器 CONTACTOR, 180 AMP
7A	39251368	1	接触器绕组 COIL, CONTACTOR
7B	39251400	1	接触组件 KIT, CONTACT
8	39251178	1	辅助触点 CONTACTOR, AUXILIARY (N. O., N. C.)
9	39203443	2	干扰抑制器 SUPPRESSOR, ARC
10	39251459	3	接线端子组件 KIT, TERMINAL LUG
11	39253174	1	电流互感器 TRANSFORMER, CURRENT
12	39252903	12	接线柱 BLOCK, TERMINAL
13	39252929	1	绝缘端片 SECTION, END
14	39252937	2	档块 BLOCK, END STOP
15	39252945	1	连接片 JUMPER, 5- POLE
16	39251244	1	风扇开关 STARTER, FAN MOTOR 4.1- 6.3A
	39252887	1	风扇开关 STARTER, FAN MOTOR 19.1- 32A
16A	39251285	1	辅助触点 CONTACTOR, AUXILIARY (N. O.) USE WITH STARTER #39251244
	39924758	1	辅助触点 CONTACTOR, AUXILIARY (N. O.- N. C.) USE WITH STARTER #39252887
16B	39924741	1	开关 SWITCH, TRIP - USED WITH STARTER PART #39252887
17	39874425	1	步进电机电源组件 ASSEMBLY, POWER SUPPLY
17A	39173810	4	固定螺柱 STANDOFF
18	39201918	1	滤波器 FILTER, RFI
19	39196225	1	电源指示灯 LIGHT, POWER ON
20	39480504	2	熔断器座 HOLDER, FUSE- 2 POLE
20A	39178736	2	熔断器芯 FUSE, 600V - 3.5A (1FU)
20B	39118484	1	熔断器芯 FUSE, 250V - 5A (2FU)
20C	39242458	1	熔断器芯 FUSE, 600V - 5A (3FU)
21	39318118	1	变压器 TRANSFORMER, 580VA, 50HZ, 380, 415, 550V
	39475983	1	变压器 TRANSFORMER, 580VA, 60HZ, 200, 230, 460, 575V
	39485800	1	变压器 TRANSFORMER, 580VA, 380V- 60HZ, 220V- 50HZ
22	39190939	1	接地块 LUG, GROUND
22A	39141809	1	接地块螺栓 BOLT, GROUND LUG
22B	39128541	1	接地块螺母 NUT, GROUND LUG

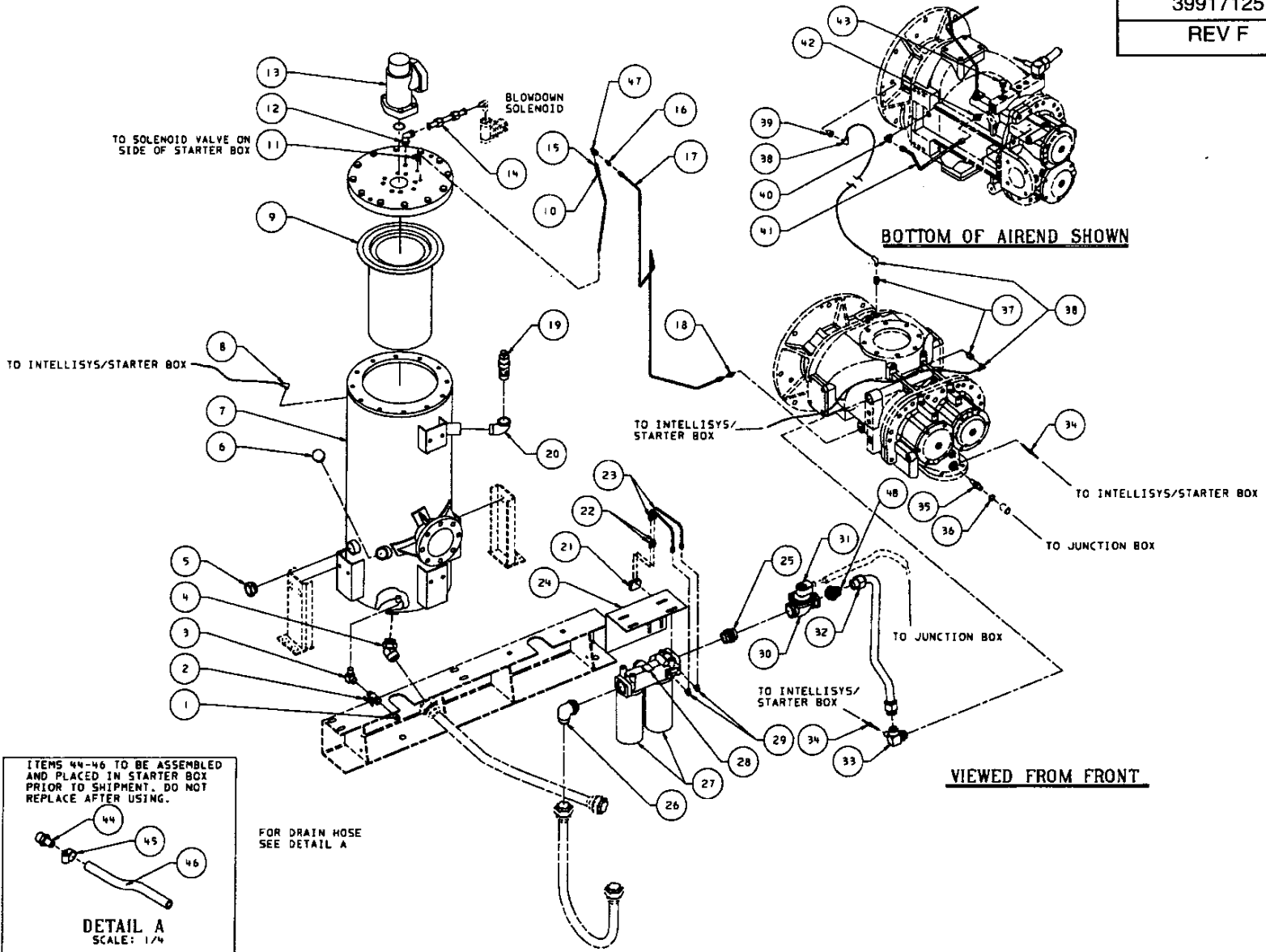
54654116  
REVA



**启动器 (星三角 90-160KW/50Hz)**  
**SSR90-160KW50Hz Assembly,Final Common Starter(star-Delta)**

序号 REF. NO.	零件号 PART NUMBER	数量 QTY.	名称 DESCRIPTION	序号 REF. NO.	零件号 PART NUMBER	数量 QTY.	名称 DESCRIPTION
	42505917	1	风冷(90-110KW)电控板总成 ASSEMBLY, STARTER	23	39874425	1	步进机电源ASSEMBLY, POWER SUPPLY
	42506162	1	水冷(90-110KW)电控板总成ASSEMBLY, STARTER	23A	39173810	4	接长螺栓STANDOFF
	42505925	1	风冷(132KW)电控板总成 ASSEMBLY, STARTER	23B	95929022	4	垫圈WASHER
	42506170	1	水冷(132KW)电控板总成 ASSEMBLY, STARTER	23C	39129994	4	螺栓SCREW #6
	42505933	1	风冷(160KW)电控板总成ASSEMBLY, STARTER	23D	35246131	1	接线柱 LUG,TERMINAL
	42506188	1	水冷(160KW)电控板总成ASSEMBLY, STARTER	23E	39146790	AR	绿色导线WIRE16G
	42510065	1	B250/B110控制组件ASSEMBLY,CONTACTOR	24	39201918	1	电源滤波器FILTER, RFI
	42510057	1	B180/B180控制组件ASSEMBLY,CONTACTOR	24A	35249721	2	螺栓SCREW #8
	42510040	1	B180/B110控制组件ASSEMBLY,CONTACTOR	25	39196225	1	电源指示灯LIGHT, POWER ON
1	54367628	1	安装板BACK PANEL, STARTER	25A	W9270874	2	绝缘接头 SPLICE,WIRE
2	39251053	2	接触器CONTACTOR, 250AM	26	39480504	2	熔断器座FUSE HOLDER, 2 POLE
3	39251160	1	辅助触点CONNECTOR,AUXILIARY.	26A	35249721	2	螺栓SCREW #8
4	39251152	1	辅助触点CONNECTOR,AUXILIARY.	27	39178736	2	熔断芯FUSE,600V, 3.5A
5	39253158	1	过载继电器RELAY,OVERLOAD	28	39118484	1	熔断芯FUSE,250V, 5A
6	39251194	1	连锁装置INTERLOCK,MECHANICAL	29	39242458	1	熔断芯FUSE,600V, 5A
7	39253174	1	电流互感器TRANSFOORMER, CURRENT	30	95986097	2	接线柱 LUG,TERMINAL
7A	54586177	3	接线柱 LUG,TERMINAL	30A	35252279	6	螺栓 SCREW 10#
8	39251046	2/3/1	接触器CONTACTOR, 180AM	30B	39181979	1	螺母NUT,#10
9	39251178	1	辅助触点CONNECTOR,AUXILIARY.	31	39190939	1	接地块LUG,GROUND
10	39251103	1	过载继电器RELAY,OVERLOAD	31A	39141809	1	接地块螺栓BOLT,GROUND LUG
11	39251442	12	接线柱 LUG,TERMINAL	31B	39128541	1	接地块螺母NUT, GROUND LUG
12	39251038	1	接触器CONTACTOR, 110AM	32	39242367	2	二针插头PLUG, 2 POSITION
13	39251459	12/9	接线柱 LUG,TERMINAL	33	39204441	2	三针插头PLUG,3 POSITION
14	39127188	3	导线槽DUCT,WIRING	34	39242375	2	十针插头PLUG,10 POSITION
14A	35252279	6	螺栓 SCREW 10#	35	39186101	1	四针插座CONNECTOR, 4PIN
15	39203443	2	干扰抑制器SUPPRESSOR, ARC	36	39191630	1	五针插座CONNECTOR,5PIN
16	39259791	1	导轨RAIL,DIN	38	39136676	14	接线柱 LUG, TERMINAL 14-16
17	35252279	2	螺栓 SCREW 10#	43	39128426	2	螺栓SCREW
18	39252903	12	接线端子BLOCK,TERMINAL	43A	39128541	2	螺母NUT
19	39252929	1	绝缘挡块BLOCK, TERMINAL	46	39164520	1	电源接线柱BLOCK POWER TERMINAL
20	39252937	2	端部簧片BLOCK, END STOP	47	54669619	1	接线柱 BLOCK, TERMINAL 6 POSITION
21	39307061	1	跨接片JUMPER, 5 POSITION	50	39251277	1	风扇手动开关STARTER,MANUAL MOTOR20A
22	39304324	2	跨接片JUMPER, 2 POSITION		39251269	1	风扇手动开关STARTER,MANUAL MOTOR16A
					39251228	1	风扇手动开关STARTER,MANUAL MOTOR2.5A
				51	39318118	1	变压器TRANSFORMER, 580VA 50HZ 380V

39917125  
REV F



ITEMS 44-46 TO BE ASSEMBLED AND PLACED IN STARTER BOX PRIOR TO SHIPMENT. DO NOT REPLACE AFTER USING.

**DETAIL A**  
SCALE: 1/4

FOR DRAIN HOSE SEE DETAIL A

## 油分离器系统 SEPARATOR TANK ASSEMBLY

序号 REF. NO.	零件号 PART NUMBER	数量 QTY.	名称 DESCRIPTION	序号 REF. NO.	零件号 PART NUMBER	数量 QTY.	名称 DESCRIPTION
1	98378361	1	塞 PLUG	27	39911631	2	油过滤器芯 OIL FILTER ELEMENT
2	39105739	1	球阀 VALVE, BALL - TANK DRAIN	28	39259676	1	油过滤器 FILTER, OIL
3	39477526	1	可调直角接头 ELBOW, 90° - IN TANK DRAIN	28A	39128467	4	螺栓 SCREW (FILTER TO BRACKET)
4	39139563	1	可调 45° 接头 ELBOW, 45° - SUMP TANK OUT	29	95937686	2	直角接头 ELBOW, 90° (FILTER DELTA P)
5	39476916	1	油窥镜 SIGHT GLASS	30	95981346	1	接头 CONNECTOR
	39406996	1	O 型圈 O- RING (SIGHT GLASS)	31	39318233	1	断油阀(N1) VALVE, OIL STOP NEMA 1
6	39478953	1	塞 PLUG, OIL FILL		39318241	1	断油阀(N4) VALVE, OIL STOP NEMA 4
	39878202	1	分离器 TANK, SEPARATOR (ASME/CANADIAN)	32	39916911	1	管总成 TUBE, OIL FEED
7	42424739	1	分离器 TANK, SEPARATOR (ASME/ CANADIAN)	33	39916648	1	可调直角接头 ELBOW
	42424598	1	分离器 TANK, SEPARATOR (AUSTRALIAN)	34	39560628	2	温度传感器 SENSOR, TEMPERATURE THERMISTOR
	99277998	1	分离器 (中国 GB 标准) TANK, SEPARATOR (CHINESE CODE)	35	39419668	1	温度开关 SWITCH, TEMPERATURE 245° F
8	39155478	1	直角接头 ELBOW	35A	39404165	1	O 型圈 O- RING
	39124813	X	尼龙管 TUBING, NYLON	36	39114079	1	止退螺母 CONDUIT, LOCKNUT
9	54509427	1	分离器阀芯 ELEMENT, SEPARATOR	37	39106240	2	过渡接头 EXPANDER
10	39417118	1	卡套接头 ADAPTER (SCAVENGE TUBE)	38	39155478	3	可调直角接头 ELBOW
11	39155478	1	快插直角接头 ELBOW	39	39173711	1	过渡接头 BUSHING
12	39478748	1	可调直角接头 ELBOW	40	95976775	1	接土可调直角接头 ELBOW
13	39477369	1	最小压力阀 VALVE, MINIMUM PRESSURE	41	39911284	1	管总成 TUBE, FRONT BRG HOUSING
	95022372	1	O 型圈 O- RING	42	95978235	1	直接头 CONNECTOR
13A	39179403	4	螺栓 STUD	43	39925045	1	节流螺栓 ORIFICE, INJECTION 11.5 MM (XF200)
13B	95922910	4	螺母 NUT		39330626	1	节流螺栓 ORIFICE, INJECTION 14 MM (XF125/ XF150/ EP150/ EP200/ HP200/ ML90/ ML110/ MM110/ ML132/ MM132/ MH132/ ML160/ MM160/ MH160)
14	39802814	1	管总成 TUBE, BLOWDOWN				节流螺栓 ORIFICE, INJECTION 17MM (EP125/ HP125/ HP150/ XP150/ MM90/ MH90/ MH110)
15	54619960	1	二次回油管 TUBE, TANK SCAVENGE	43A	95021754	1	O 型圈 O- RING
16	39303284	1	小孔接头 ORIFICE (. 070)	47	95938049	1	ELBOW 可调直角接头
17	54619978	1	回油管总成 TUBE, SCAVENGE	48	95981346	1	CONNECT 直接头
18	95981429	1	直接头 CONNECTOR	<b>ITEMS TO BE PLACED IN STARTER BOX 放在控制箱内的备件</b>			
19	39588058	1	安全阀 VALVE, 200# SAFETY	44	39137542	1	ADAPTER 接头
20	95944104	1	直角接头 ELBOW, 90° - SAFETY VALVE	45	95220844	1	CLAMP, HOSE 夹箍
21	39244512	1	油压差开关 SWITCH, OIL DELTA P	46	39137518	1	TUBING, SYN FLEX 尼龙管
21A	39178827	2	螺钉 SCREW				
22	95937579	2	接头 ADAPTER				
23	39545942	2	管总成 TUBE, OIL DELTA P				
24	39798004	1	油过滤器支架 SUPPORT, OIL FILTER				
24A	39128509	2	螺栓 SCREW (BRACKET TO TANK)				
25	39479944	1	接头 ADAPTER (OIL FILTER TO OIL STOP VALVE)				
26	95962304	1	可调直角接头 ZELBOW				

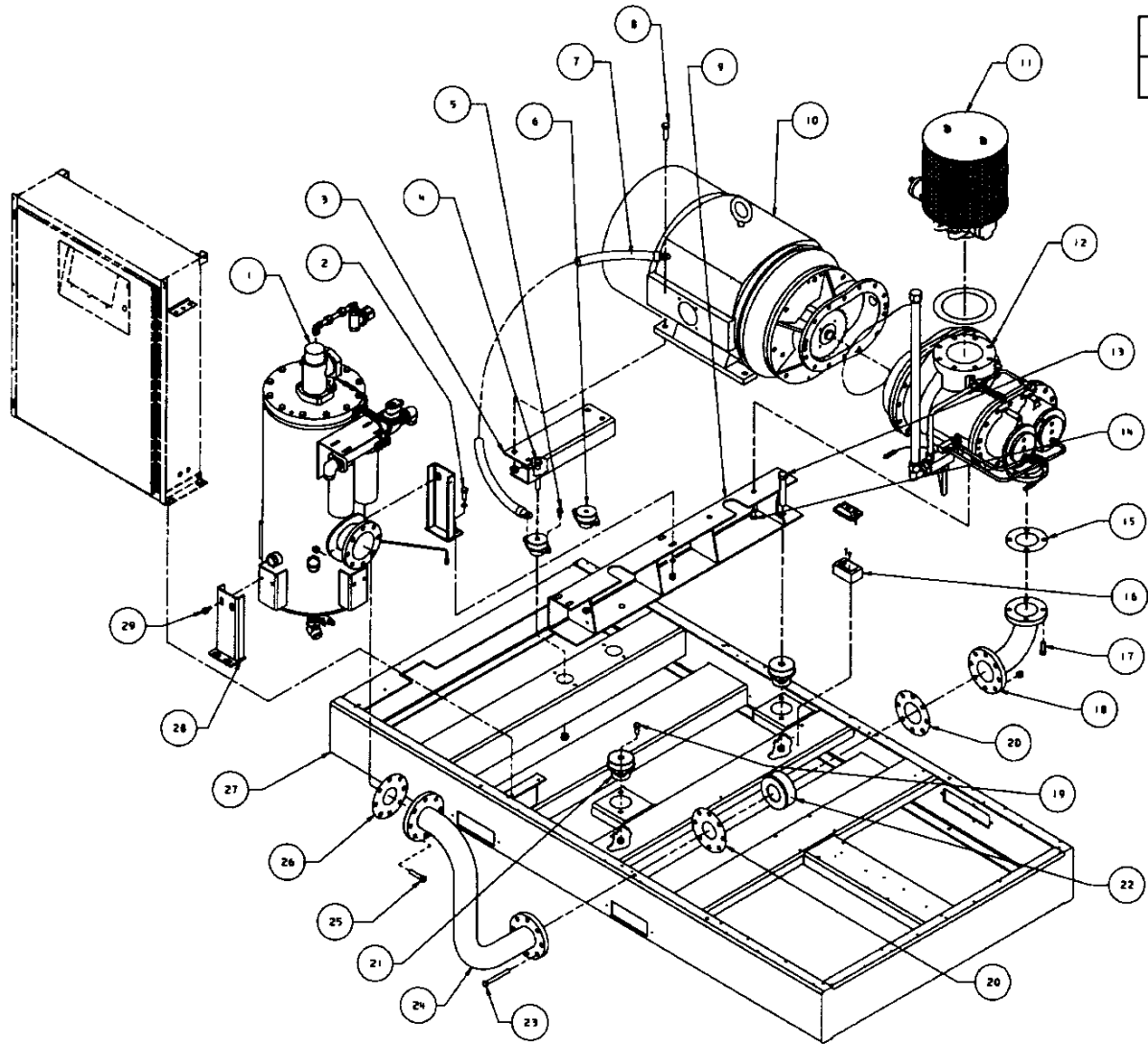
NOTE: STANDARD FASTENERS SUCH AS NUTS, BOLTS AND SCREWS ARE LISTED AS SUB- ITEMS (EXAMPLE: 13A).

X - ORDER PER NUMBER OF INCHES REQUIRED.

XX - CONTACT FACTORY FOR PART NUMBER..



39878905
REV 02



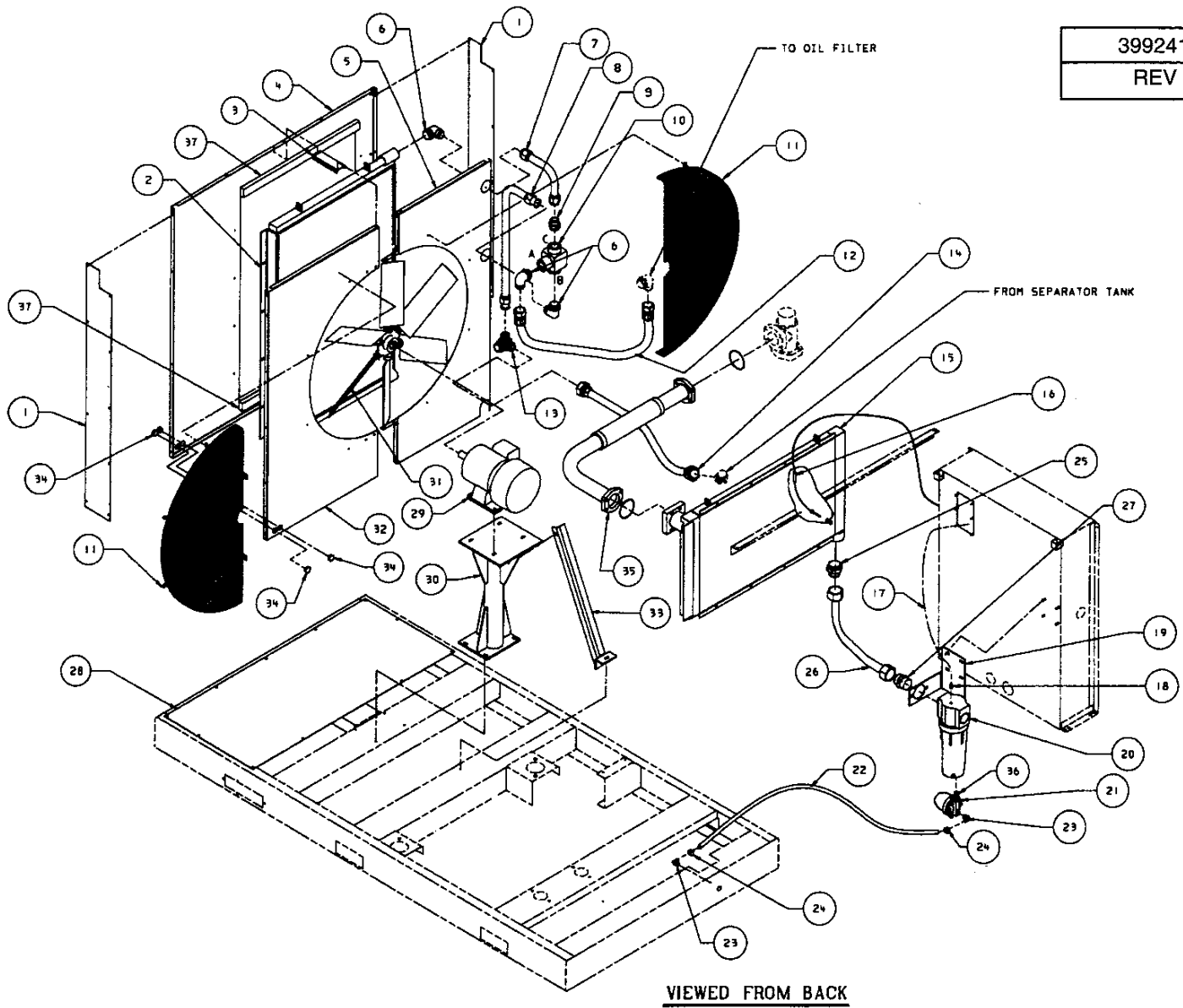
VIEWED FROM FRONT

**主要部件装配图**  
**MAJOR COMPONENTS ASSEMBLY**

序号 REF. NO.	零件号 PART NUMBER	数量 QTY.	名称 DESCRIPTION	序号 REF. NO.	零件号 PART NUMBER	数量 QTY.	名称 DESCRIPTION
1	-----	1	分离器组件 TANK, ASSEMBLY	15	39454533	1	垫 GASKET, AIREND TO PIPE
2	95929089	4	螺栓 BOLT, LEG TO BASE	16	-----	1	分线盒 JUNCTION BOX, CONDUIT ASSEMBLY
2A	95947651	8	垫圈 WASHER, FLAT	16A	39206271	2	螺栓 SCREW, JUNCTION BOX
2B	95923355	4	螺母 NUT	17	39179072	4	螺栓 BOLT, AIREND TO PIPE
3	39851928	1	电机支架 SUPPORT, MOTOR 405 FRAME (125 & 150 HP)	18	39797279	1	主机排气管 PIPE, DISCHARGE (AIREND)
	39851936	1	电机支架 SUPPORT, 280MK MOTOR (90 & 110 KW)	19	95934501	4	螺栓 BOLT, MOUNT TO BASE
	39851936	1	电机支架 SUPPORT, MOTOR 445 FRAME (200 HP)	19A	95923355	4	螺母 NUT
	39917398	1	电机支架 SUPPORT, 315MK MOTOR (132 & 160 KW) ROTATE 180	20	39487434	2	垫 GASKET
4	95929139	2	螺栓 BOLT, SUPPORT TO MOUNT	21	39477096	2	减震器 MOUNT, ISOLATION AIREND
4A	95923363	2	螺母 NUT	22	39479852	1	止逆阀 VALVE, DISCHARGE CHECK
5	39178686	4	螺栓 SCREW, MOUNT TO BASE	23	95951869	8	螺栓 BOLT, AIREND PIPE TO TANK PIPE
6	39476882	2	件震器 MOUNT, ISOLATION MOTOR	23A	95923355	8	螺母 NUT
7	39479860	1	接地线 GROUND STRAP	24	39797287	1	排气管 PIPE, DISCHARGE (TANK)
8	95929105	2	螺栓 BOLT, MOTOR TO SUPPORT	25	95934170	8	螺栓 BOLT, TANK PIPE TO TANK
8A	95923363	2	螺母 NUT	25A	95923355	8	螺母 NUT
9	39851944	1	主机支架 SUPPORT, AIREND	26	39452362	1	垫 GASKET, PIPE TO TANK
10	-----	1	驱动组件 DRIVE ASSEMBLY	27	39843347	1	底架 BASE, STANDARD
11	-----	1	进气组件 INLET ASSEMBLY	28	39878558	2	分离罐支架 LEG, TANK
12	-----	1	主机组件 AIREND ASSEMBLY	29	39128509	4	螺栓 SCREW, LEG TO TANK
13	95984233	2	螺栓 BOLT, SUPPORT TO MOUNT				
13A	95923306	2	螺母 NUT				
14	39179080	2	螺栓 BOLT, AIREND TO SUPPORT				

NOTE:

STANDARD FASTENERS SUCH AS NUTS AND WASHERS ARE LISTED AS SUB- ITEMS(EXAMPLE: 2A).



**风冷却系统(125 - 150 HP/ 90- 110 KW)**  
**AIRCOOLED COOLER ASSEMBLY (125 - 150 HP/ 90- 110 KW)**

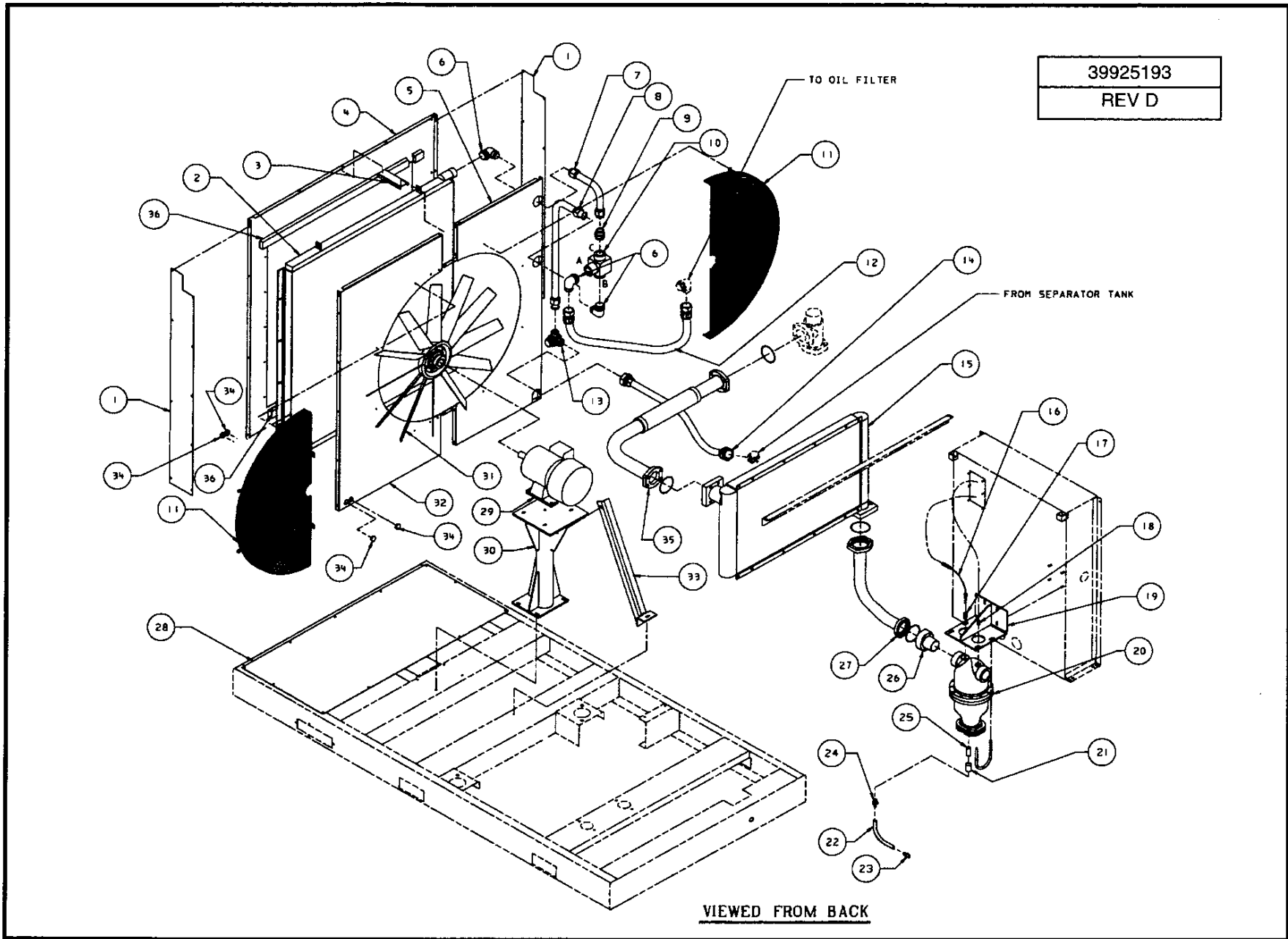
序号 REF. NO.	零件号 PART NUMBER	数量 QTY.	名称 DESCRIPTION	序号 REF. NO.	零件号 PART NUMBER	数量 QTY.	名称 DESCRIPTION
1	39480173	2	冷却箱侧板 SIDES, COOLER BOX	26	54370564	2	管总成 TUBE- AFTERCOOLER TO MOISTURE SEPARATOR
1A	39133145	18	螺栓 SCREW	27	95937561	1	直接头 CONNECTOR
2	39919394	1	油冷却器 COOLER, OIL	28	39798525	1	排气底板 PLATE, BOTTOM EXHAUST
2A	39133152	8	螺栓 SCREW	28A	39133145	11	螺栓 SCREW
2B	95929071	8	垫圈 WASHER	29	XXXXXXXX	1	风扇电机 MOTOR, FAN
3	39494133	1	孔板 支架 BRACE, ORIFICE	29A	39119573	4	螺栓 BOLT
3A	39133145	3	螺栓 SCREW	29B	39128566	4	螺母 NUT
4	39919428	1	油冷却器支架 SUPPORT, OIL COOLER	30	39885397	1	风扇电机支架 SUPPORT, FAN MOTOR
4A	39133145	4	螺栓 SCREW	30A	39178678	4	螺栓 BOLT
5	54367404	1	风扇孔板 (右) ORIFICE, FAN RIGHT	31	39923628	1	风扇 FAN WITH TAPER BUSHING & HUB, 60 HZ
5A	39133145	16	螺栓 SCREW		39911649	1	风扇 FAN WITH TAPER BUSHING & HUB 50 HZ
6	95962304	3	可调直角接头 ELBOW	32	54367396	1	风扇孔板 (左) ORIFICE, FAN LEFT
7	39479209	1	管总成 TUBE, OIL COOLER OUT - THERMO VALVE	32A	39133145	12	螺栓 SCREW
8	39545843	1	管总成 TUBE, OIL COOLER IN - THERMO VALVE	33	39925920	1	风扇支撑 BRACE, FAN MTR SUPPORT
9	39128624	1	直接头 CONNECTOR	33A	39128483	1	螺栓 BOLT
10	39478193	1	温控阀 VALVE, THERMO	33B	39128566	1	螺母 NUT
10A	39437645	1	温控阀芯 ELEMENT, THERMO VALVE	33C	39178678	1	螺栓 SCREW
10B	39412127	1	O 型圈 O- RING, BODY	34	39319728	4	塑料塞 PLUG, NYLON BLACK
10C	95022257	1	O 型圈 O- RING, ELEMENT	36	54423280	1	连接件 ADAPTER, DRAIN TRAP VENT
11	54634894	2	风扇网罩 GUARD, FAN	37	54624622	2	泡沫吸音板 FOAM (BETW. OIL COOLER AND SUPPORT - TOP AND BOTTOM)
11A	39133152	12	螺栓 SCREW	<b>UNIT WITHOUT AFTERCOOLER 机组不带后冷却器</b>			
11B	95929071	12	垫圈 WASHER	35	39878343	1	排气管 PIPE, DISCHAGE MPV- OUT
12	39572482	1	软管 HOSE, THERMO VALVE - FILTER	35A	95934154	4	螺栓 BOLT, PIPE TO MPV
13	39476353	1	三通 TEE, SIDE OUTLET	35B	95929188	4	垫圈 WASHER
14	39572441	1	软管 HOSE, SEPARATOR TANK - OIL COOLER (PORT "IN")	35C	95022349	1	O 型圈 O- RING
15	54365945	1	后冷却器 AFTERCOOLER	35D	39546775	1	管支架 SUPPORT, PIPE
15A	39133152	8	螺栓 SCREW	35E	39133152	2	螺栓 SCREW
15B	95929071	8	垫圈 WASHER	35F	39128541	2	螺母 NUT
16	39560628	1	温度传感器 SENSOR, TEMPERATURE	35G	95481800	1	U 型螺栓 U- BOLT
16A	39404157	1	O 型圈 O- RING	35H	39116348	2	螺母 NUT
17	39124813	X	尼龙管 TUBING, NYLON	<b>UNIT WITH AFTERCOOLER 机组带后冷却器</b>			
18	39156393	1	快插接头 CONNECTOR	35	39878319	1	排气管 PIPE, DISCHAGE MPV- AFTERCOOLER
19	39922109	1	水分分离器 支架 BRACKET, MOISTURE SEPARATOR	35A	95934154	4	螺栓 BOLT
19A	39128566	4	螺母 NUT	35B	95929188	4	垫圈 WASHER
20	39586292	1	水分分离器 SEPARATOR, MOISTURE	35C	95022349	2	O 型圈 O- RING
20A	95920674	2	螺栓 SCREW	35D	95934154	4	螺栓 BOLT, TUBE TO AFTERCOOLER
20B	39128566	2	螺母 NUT	35E	95934741	4	垫圈 WASHER
21	39530159	1	疏水阀 TRAP, CONDENSATE				
22	39137518	24	软管 HOSE, MOISTURE SEPARATOR DRAIN				
23	39137534	2	塔式接头 ELBOW				
24	95220844	1	夹箍 CLAMP				
25	39128632	1	直接头 CONNECTOR				

NOTE:

STANDARD FASTENERS SUCH AS NUTS AND WASHERS ARE LISTED AS SUB- ITEMS (EXAMPLE: 2A).

X - ORDER PER NUMBER OF INCHES REQUIRED.

MPV - MINIMUM PRESSURE VALVE

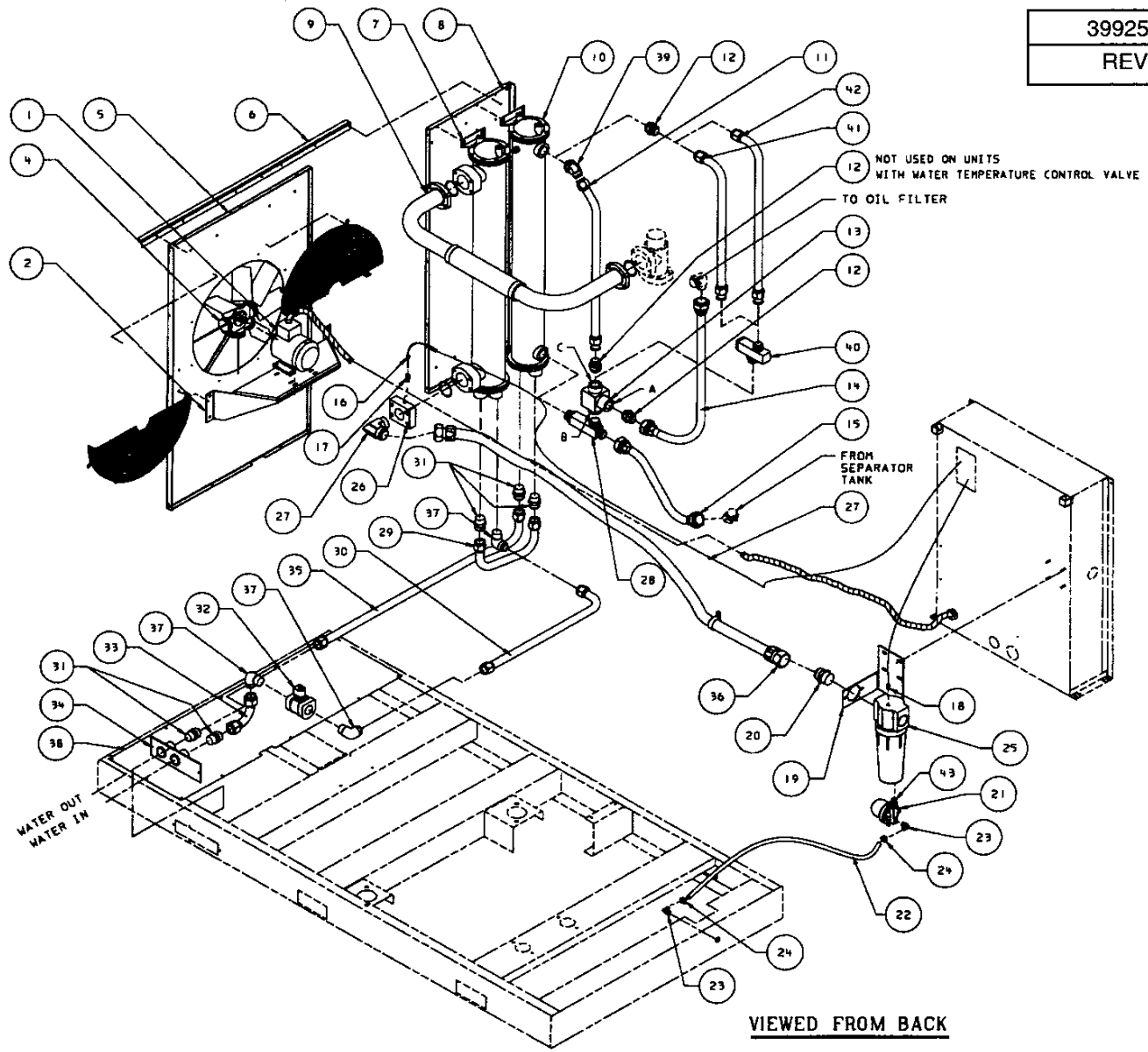


**风 冷 却 系 统**  
**AIRCOOLED COOLER ASSEMBLY (200 HP/ 132 & 160 KW)**

序号 REF. NO.	零件号 PART NUMBER	数量 QTY.	名 称 DESCRIPTION	序号 REF. NO.	零件号 PART NUMBER	数量 QTY.	名 称 DESCRIPTION
1	39480173	2	冷却箱侧板 SIDES, COOLER BOX	25	95948766	1	内接头 NIPPLE
1A	39133145	18	螺栓 SCREW	26	39479050	1	接头 ADAPTER, SEPARATOR IN
2	39924048	1	油冷却器 COOLER, OIL	27	39545157	1	排气弯管 TUBE, DISCHARGE
2A	39133152	8	螺栓 SCREW	27A	95934154	4	螺栓 BOLT, AFTERCOOLER DISCHARGE
2B	95929071	8	垫圈 WASHER	27B	95934741	4	垫圈 WASHER
3	39494133	1	孔板支架 BRACE, ORIFICE	27C	95022349	1	O 型圈 O- RING
3A	39133145	3	螺栓 SCREW	27D	95943163	4	螺栓 BOLT, SEPARATOR INLET
4	39798491	1	油冷却器支架 SUPPORT, OIL COOLER	27E	95934733	4	垫圈 WASHER
4A	39133145	4	螺栓 SCREW	27F	95028502	1	O 型圈 O- RING
5	54367404	1	风扇孔板 (右) ORIFICE, FAN RIGHT	28	39798525	1	排气底板 PLATE, BOTTOM EXHAUST
5A	39133145	16	螺栓 SCREW	28A	39133145	11	螺栓 SCREW
6	95962304	3	可调直角接头 ELBOW	29	XXXXXXXX	1	风扇电机 MOTOR, FAN
7	39479209	1	管总成 TUBE, OIL COOLER OUT - THERMO VALVE	29A	39110309	4	螺栓 BOLT
8	39545843	1	管总成 TUBE, OIL COOLER IN - THERMO VALVE	29B	39128566	4	螺母 NUT
9	39128624	1	直接头 CONNECTOR	30	39885397	1	风扇电机支架 SUPPORT, FAN MOTOR
10	39478193	1	温控阀 VALVE, THERMO	30A	39178678	4	螺栓 BOLT
10A	39437645	1	温控阀芯 ELEMENT, THERMO VALVE	31	39923628	1	风扇 FAN WITH TAPER BUSHING & HUB, 60 HZ
10B	39412127	1	O 型圈 O- RING, BODY		39911649	1	风扇 FAN WITH TAPER BUSHING & HUB, 50 HZ
10C	95022257	1	O 型圈 O- RING, ELEMENT	32	54367396	1	风扇孔板 (左) ORIFICE, FAN LEFT
11	54634894	2	风扇网罩 GUARD, FAN	32A	39133145	12	螺栓 SCREW
11A	39133152	18	螺栓 SCREW	33	39925920	1	风扇支架 BRACE, FAN MTR SUPPORT
11B	95929071	18	垫圈 WASHER	33A	39128483	1	螺栓 BOLT
12	39572482	1	软管 HOSE, THERMO VALVE - FILTER	33B	39128566	1	螺母 NUT
13	39476353	1	三通 TEE, SIDE OUTLET	33C	39178678	1	螺栓 SCREW
14	39572441	1	软管 HOSE, SEPARATOR TANK - OIL COOLER (PORT "IN")	34	39319728	4	塑料塞 PLUG, NYLON BLACK
15	39924055	1	后冷却器 AFTERCOOLER	36	54624622	2	泡沫吸音板 FOAM (BETWEEN OIL COOLER & SUPPORT - TOP AND BOTTOM)
15A	39133152	8	螺栓 SCREW	UNIT WITHOUT AFTERCOOLER 机组不带后冷却器			
15B	95929071	8	垫圈 WASHER	35	39878343	1	排气管 PIPE, DISCHARGE MPV- OUT
16	39560628	1	温度传感器 SENSOR, TEMPERATURE	35A	95934154	4	螺栓 BOLT, PIPE TO MPV
16A	39404157	1	O 型圈 O- RING	35B	95934741	4	垫圈 WASHER
17	39251467	1	过渡接头 ADAPTER	35C	95022349	1	O 型圈 O- RING
17A	39124813	X	尼龙管 TUBING, NYLON	35D	39546775	1	管支架 SUPPORT, PIPE
18	39156435	1	快插接头 CONNECTOR	35E	39133152	2	螺栓 SCREW
19	39798343	1	水分分离器支架 BRACKET, MOISTURE SEPARATOR	35F	39128541	2	螺母 NUT
19A	39128566	4	螺母 NUT	35G	95481800	1	U 型螺栓 U- BOLT
20	39900394	1	水分分离器 SEPARATOR, MOISTURE	35H	39116348	2	NUT 螺母
20A	39483789	2	U 型螺栓 U- BOLT	UNIT WITH AFTERCOOLER 机组带后冷却器			
20B	39116348	4	螺母 NUT	35	39878319	1	排气管 PIPE, DISCHARGE MPV- AFTERCOOLER
21	95902045	1	外接头 COUPLING	35A	95934154	4	螺栓 BOLT
22	39137518	12	软管 HOSE, MOISTURE SEPARATOR DRAIN	35B	95934741	4	垫圈 WASHER
23	39137542	1	塔式接头 ADAPTER	35C	95022349	2	O 型圈 O- RING
24	39137526	1	塔式接头 ADAPTER	35D	95934154	4	螺栓 BOLT, TUBE TO AFTERCOOLER
				35E	95934741	4	垫圈 WASHER

NOTE: STANDARD FASTENERS SUCH AS NUTS AND WASHERS ARE LISTED AS SUB- ITEMS (EXAMPLE).  
X - ORDER PER NUMBER OF INCHES REQUIRED.

39925219  
REV C



VIEWED FROM BACK

**水 冷 却 系 统**  
**WATERCOOLED PIPING ASSEMBLY (125 & 150 HP/ 90 & 110 KW)**

序号 REF. NO.	零件号 PART NUMBER	数量 QTY.	名 称 DESCRIPTION	序号 REF. NO.	零件号 PART NUMBER	数量 QTY.	名 称 DESCRIPTION
1	-----	1	风扇电机 MOTOR, FAN	20	95937561	1	直接头 CONNECTOR
1A	39130828	4	螺栓 BOLT	21	39530159	1	疏水阀 TRAP, CONDENSATE
1B	39128558	4	螺母 NUT	22	39137518	18	尼龙管 HOSE, SYNIFLEX (INCHES)
2	54376660	1	风扇电机支架 SUPPORT, FAN MOTOR	23	39137534	2	塔式接头 ELBOW
2A	39178678	4	螺栓 SCREW	24	95220844	2	夹箍 CLAMP
3	54376678	2	风扇网罩 GUARD, FAN	25	39586292	1	水分离器 SEPARATOR, MOISTURE
3A	39133152	10	螺栓 SCREW	25A	95920674	2	螺栓 SCREW
3B	95929071	10	垫圈 WASHER	25B	39128566	2	螺母 NUT
4	39197835	1	风扇 FAN, 24 INCH, 8 BLADE (60 HZ)	26	39922299	1	排气法兰 FLANGE, AFTERCOOLER OUT
	54569546	1	风扇 FAN, 24 INCH, 10 BLADE (50 HZ)	26A	95934170	4	螺栓 BOLT
5	54380308	1	风扇孔板 ORIFICE, FAN	26B	95929188	4	垫圈 WASHER
5A	39133145	8	螺栓 SCREW	26C	95022349	1	O 型圈 O- RING
6	39824164	1	角支架 ANGLE, SUPPORT	27	95937678	1	直角接头 ELBOW
6A	39133145	7	螺栓 SCREW	28	39546718	1	三通 MANIFOLD
				29	39546585	1	管总成 TUBE, OIL COOLER - AFTERCOOLER
				30	39881321	1	管总成 TUBE, S. W. V. - A/ C (WITH A/ C)
				31	95937553	5	直接头 CONNECTOR
				32	39479811	1	断水阀 VALVE, SOLENOID WATER
				33	39838990	1	管总成 TUBE, BASE IN - S. W. V.
				34	39546601	1	排水接板 PLATE, COUPLING
				34A	39133152	4	螺栓 SCREW
				35	39800313	1	管总成 TUBE, OIL COOLER TO BASE OUT
				36	39572557	1	软管 HOSE
				36A	35114271	1	夹箍 CLAMP
				37	95279477	3	直角接头 ELBOW
				38	39800297	1	排气底板 PLATE, BOTTOM EXHAUST
				38A	39133145	9	螺栓 SCREW
				39	39139563	1	45° 接头 ELBOW, 45°
				43	54423280	1	连接件 ADAPTER, MOISTURE TRAP VENT
							<b>90 DEGREE WATER SERIES WITH THERMOSTATIC WATER CONTROL VALVE</b>
							90F° 水冷串联带水温控阀
				40	39546684	1	三通 MANIFOLD, THERMO VALVE PORT C
				41	39546692	1	管总成 TUBE, OIL COOLER TO MANIFOLD
							<b>115 DEGREE WATER PARALLEL WITH THERMOSTATIC WATER CONTROL VALVE</b>
							115F° 水冷并联带水温控阀
				40	39546684	1	三通 MANIFOLD, THERMO VALVE PORT C
				42	39546700	1	管总成 TUBE, OIL COOLER TO MANIFOLD

NOTE: STANDARD FASTENERS SUCH AS NUTS, BOLTS AND SCREWS ARE LISTED AS SUB- ITEMS (EXAMPLE: 2A).

X - ORDER PER NUMBER OF INCHES REQUIRED.

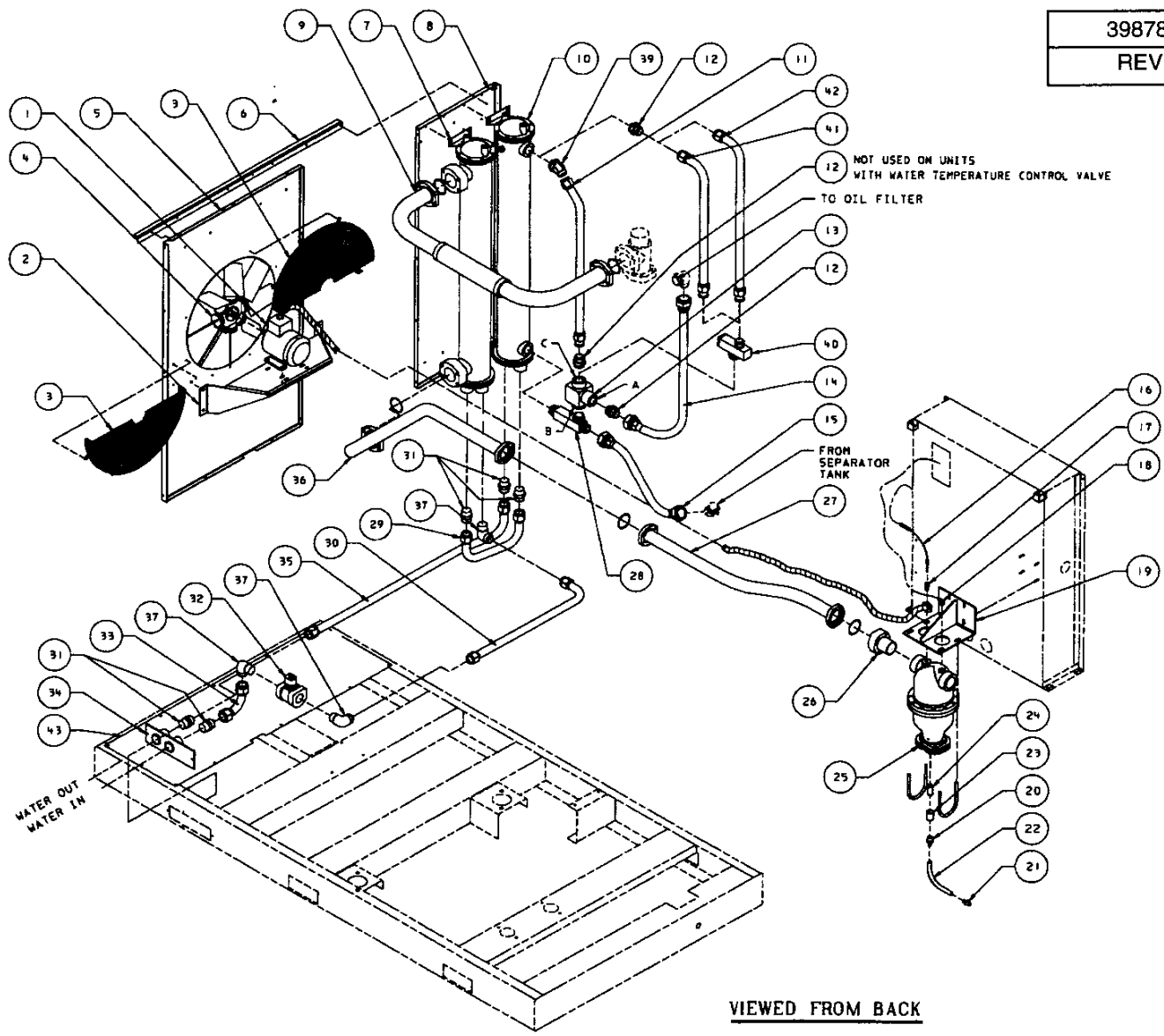
MPCV - MINIMUM PRESSURE CHECK VALVE.

SWV - SOLENOID WATER VALVE.

A/ C - AFTERCOOLER



39878665  
REV 08

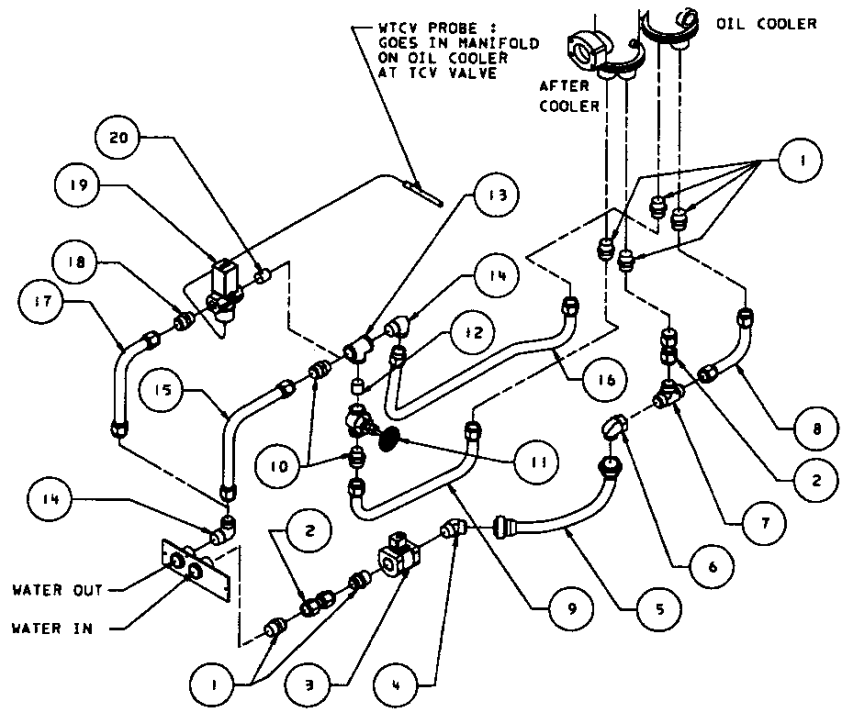


## 水 冷 却 系 统

### WATERCOOLED PIPING ASSEMBLY (200 HP/ 132 & 160 KW)

序号 REF. NO.	零件号 PART NUMBER	数量 QTY.	名称 DESCRIPTION	序号 REF. NO.	零件号 PART NUMBER	数量 QTY.	名称 DESCRIPTION
1	----	1	风扇电机 MOTOR, FAN	17A	39124813	X	尼龙管 TUBING
1A	39130828	4	螺栓 BOLT	18	39155478	1	快插接头 ADAPTER
1B	39128558	4	螺母 NUT	19	39798343	1	水分分离器支架 BRACKET, MOISTURE SEPARATOR
2	54376660	1	风扇电机支架 SUPPORT, FAN MOTOR	19A	39128566	4	螺母 NUT
2A	39178678	4	螺栓 SCREW	20	39137526	1	塔式接头 ADAPTER
3	54376678	2	风扇网罩 GUARD, FAN	21	39137542	1	塔式接头 ADAPTER
3A	39133152	10	螺栓 SCREW	22	39137518	12	尼龙管 HOSE (INCHES)
3B	95929071	10	垫圈 WASHER	23	95902045	1	外接头 COUPLING, FULL
4	39197835	1	风扇 FAN, 60 HZ	24	95948766	1	内接头 NIPPLE
5	4569546	1	风扇 FAN, 50 HZ	25	39900394	1	水分分离器 SEPARATOR, MOISTURE
5	54380308	1	风扇孔板 ORIFICE, FAN	25A	39483789	2	U 型接头 U-BOLT
5A	39133145	8	螺栓 SCREW	25B	39116348	4	螺母 NUT
6	39824164	1	角支架 ANGLE, SUPPORT	26	39479050	1	接头 ADAPTER, SEPARATOR IN
6A	39133145	7	螺栓 SCREW	26A	95943163	4	螺柱 BOLT, TUBE TO ADAPTER ON M. S.
<b>UNIT WITH AFTERCOOLER 机组带后冷却器</b>				26B	95934733	4	垫圈 WASHER
7	39799531	1	后冷却器 AFTERCOOLER	26C	95028502	1	O 型圈 O-RING
7A	39178678	4	螺栓 BOLT	27	39800362	1	排气管 TUBE (TUBE TO MOISTURE SEPARATOR ADAPTER)
8	39800289	1	冷却器支架 SUPPORT, COOLERS	27A	95934469	4	螺栓 BOLT (A/ C TUBE TO MOISTURE SEPARATOR TUBE)
8A	39133145	2	螺栓 SCREW	27B	95934733	4	垫圈 WASHER
9	39878350	1	排气管 PIPE, DISCHARGE MPCV - A/ C	27C	95028502	1	O 型圈 O-RING
9A	95934154	8	螺栓 BOLT (PIPE TO MPV & A/ C)	28	39546718	1	三通 MANIFOLD
9B	95929188	8	垫圈 WASHER	29	39546585	1	管总成 TUBE (O/ C - A/ C)
9C	95022349	2	O 型圈 O-RING	30	39881321	1	管总成 TUBE (S. W. V. - A/ C) - WITH AFTERCOOLER
10	39799523	1	油冷却器 COOLER, OIL - 90、 UNITS	31	95937553	5	直接头 ADAPTER
	39799515	1	油冷却器 COOLER, OIL - 115、 UNITS	32	39479811	1	断水阀 VALVE, SOLENOID WATER
10A	39178678	4	螺栓 SCREW	33	39838990	1	管总成 TUBE (BASE IN - S. W. V.)
11	39849005	1	管总成 TUBE, O/ C TO TCV - 90、 UNITS	34	39546601	1	排水接板 PLATE, COUPLING
	39857388	1	管总成 TUBE, O/ C TO TCV - 115、 UNITS	34A	39133152	4	螺栓 SCREW
12	39128624	2	直接头 ADAPTER, TCV PORT A & C	35	39800313	1	管总成 TUBE (O/ C TO BASE OUT)
13	39478193	1	温控阀 VALVE, THERMO CONTROL (TCV)	36	39800354	1	管总成 TUBE (A/ C DISCHARGE TO TUBE)
13A	39437645	1	温控阀芯 ELEMENT, THERMO CONTROL VALVE	36A	95934154	4	螺栓 BOLT (A/ C DISCHARGE TO TUBE)
13B	39412127	1	O 型圈 O-RING, BODY	36B	95929188	4	垫圈 WASHER
13C	95022257	1	O 型圈 O-RING, ELEMENT	36C	95022349	1	O 型圈 O-RING
14	39572441	1	软管 HOSE, TCV PORT 旋英 TO OIL FILTER	37	95279477	3	直角接头 ELBOW, 90
15	39572300	1	软管 HOSE, TANK TO COOLER MANIFOLD	39	39139563	1	45 接头 ELBOW, 45
16	39560628	1	温度传感器 SENSOR, TEMPERATURE	43	39800297	1	排气底板 PLATE, BOTTOM EXHAUST
16A	39404157	1	O 型圈 O-RING	43A	39133145	9	螺栓 SCREW
17	39251467	1	过渡接头 ADAPTER	<b>90 DEGREE WATER (SERIES) WITH THERMOSTATIC WATER CONTROL VALVE</b>			
NOTE: FOR ADDITIONAL PIPING OPTIONS				90F	水冷带水温控阀		
SEE NEXT 2 PAGES.				40	39546684	1	三通 MANIFOLD, TCV PORT C
NOTE: STANDARD FASTENERS SUCH AS NUTS, BOLTS AND SCREWS ARE LISTED AS SUB-ITEMS (EXAMPLE: 2A).				41	39546692	1	管总成 TUBE, OIL COOLER TO MANIFOLD
X ORDER PER NUMBER OF INCHES REQUIRED.				<b>115 DEGREE WATER (PARALLEL) WITH THERMOSTATIC WATER CONTROL VALVE</b>			
SWV - SOLENOID WATER VALVE.				115F	水冷带水温控阀		
TCV - THERMO CONTROL VALVE.				40	39546684	1	三通 MANIFOLD, TCV PORT C
MPV - MINIMUM PRESSURE VALVE.				42	39546700	1	管总成 TUBE, OIL COOLER TO MANIFOLD
A/ C - AFTERCOOLER.							
M. S. - MOISTURE SEPARATOR.							
O/ C - OIL COOLER.							

39878665
REV 08



冷却水进气管路系统

WATER PIPING OPTIONS (125- 200 HP/ 90- 160 KW)

PARALLEL WATER PIPING WITH AFTERCOOLER

(并联带后冷却器)

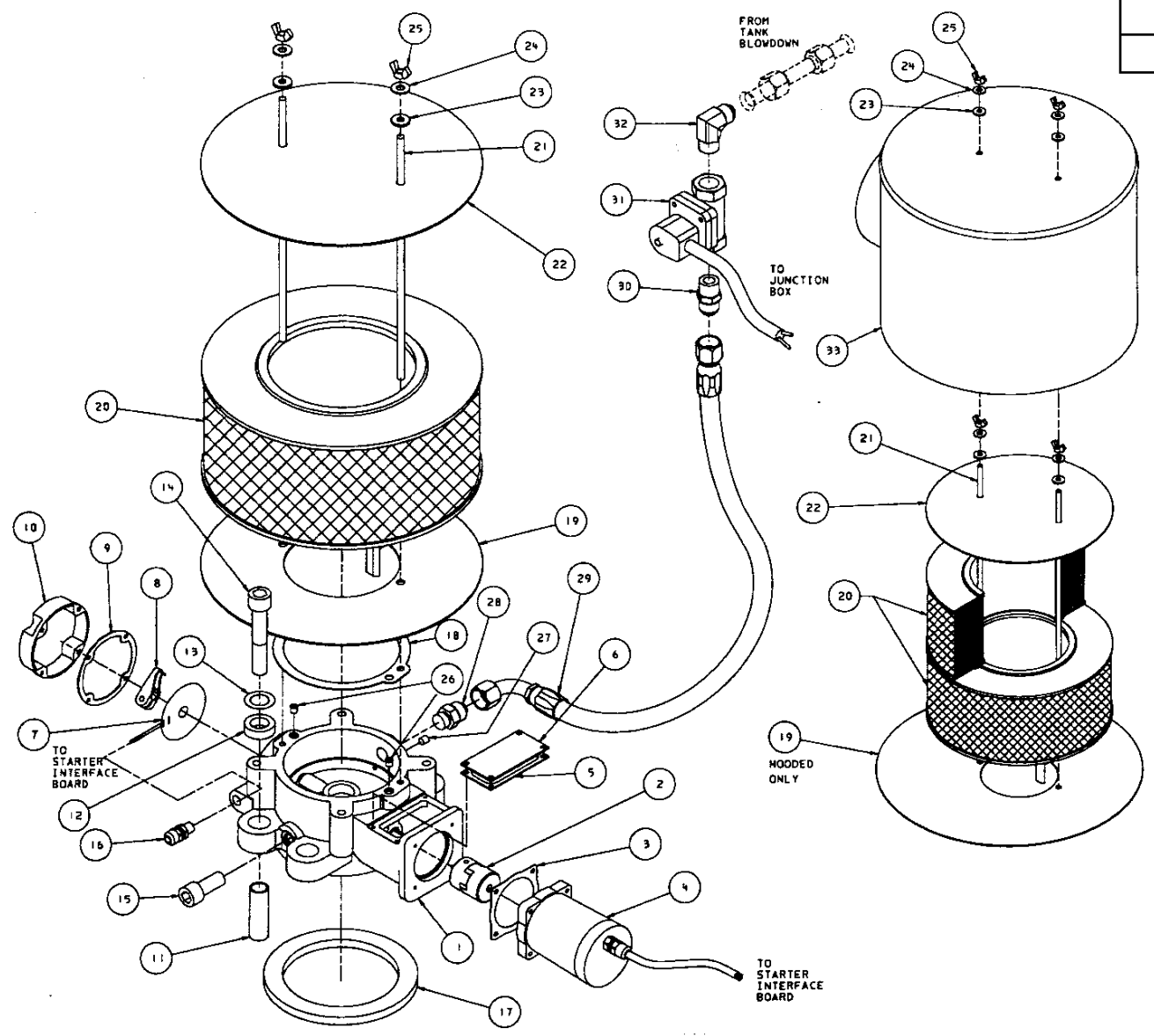
序号 REF. NO.	零件号 PART NUMBER	数量 QTY.	名称 DESCRIPTION
1	95937553	6	直接头 ADAPTER
2	39546569	2	管总成 TUBE, BASE INLET - AFTERCOOLER INLET
3	39479811	1	断水阀 VALVE, SOLENOID WATER
4	95937751	1	45° 接头 ADAPTER, 45°
5	39572136	1	软管 HOSE
6	95937850	1	45° 接头 ADAPTER, 45°
7	95937165	1	三通 TEE
8	39546650	1	管总成 TUBE, TEE TO OIL COOLER INLET
9	39546619	1	管总成 TUBE, AFTERCOOLER OUT TO GATE VALVE
10	95939351	2	接头 ADAPTER
11	95067203	1	截止阀 VALVE, GATE
12	95507109	1	内接头 NIPPLE
13	95909248	1	三通 TEE, REDUCING
14	95949749	2	直角接头 ELBOW
15	39546593	1	管总成 TUBE, TEE TO BASE WATER OUT
16	39800305	1	管总成 TUBE, OIL COOLER OUT TO TEE

PARALLEL WATER PIPING WITH AFTERCOOLER -  
WITH WATER TEMPERATURE CONTROL VALVE

(并联带温控阀)

序号 REF. NO.	零件号 PART NUMBER	数量 QTY.	名称 DESCRIPTION
17	39546627	1	管总成 TUBE, BASE OUT TO WATER TEMPERATURE CONTROL VALVE
18	95939351	1	接头 ADAPTER
19	39143771	1	温控阀 VALVE, WATER TEMPERATURE CONTROL
20	95507109	1	内接头 NIPPLE

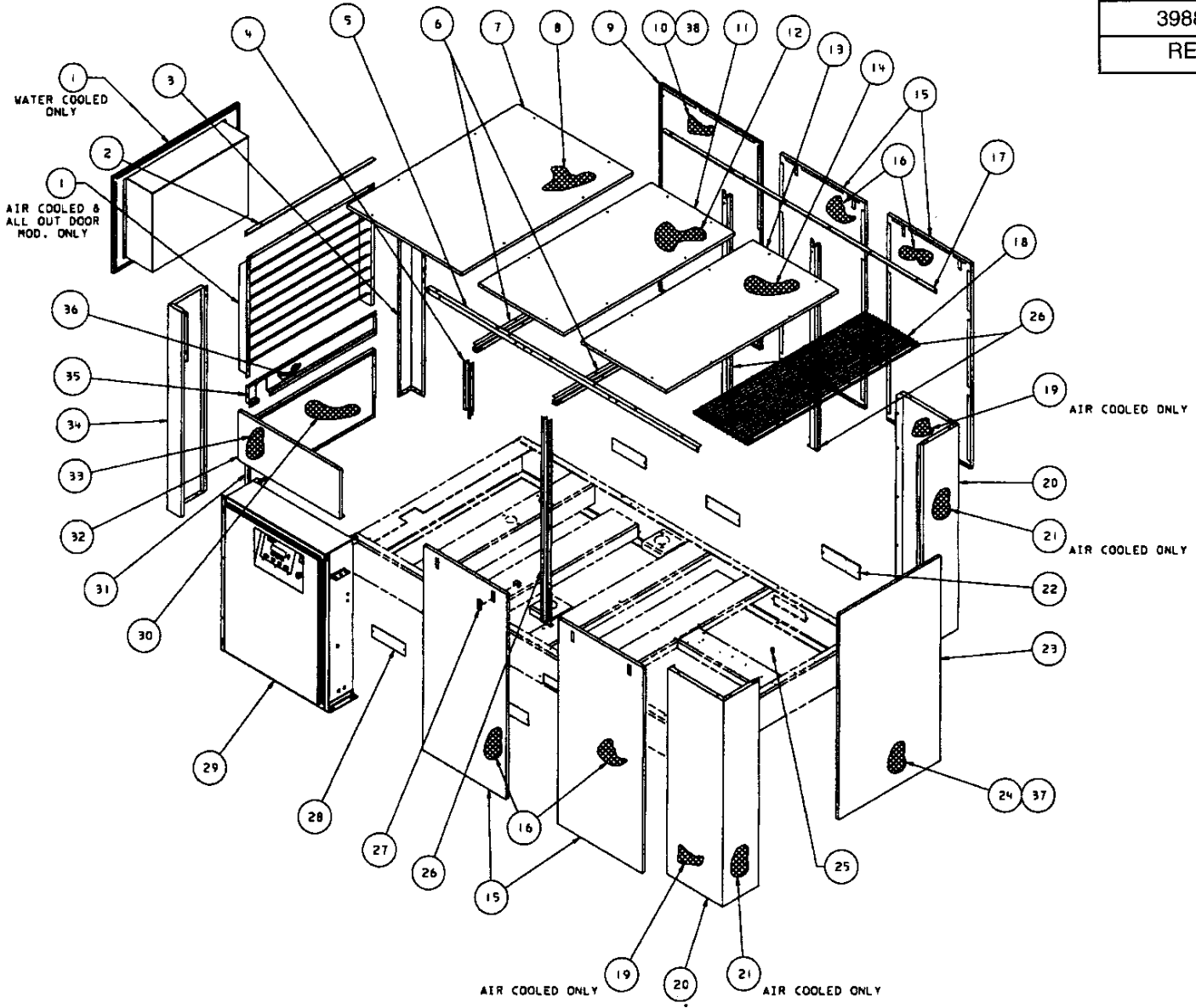
39843206  
REV 08



**进 气 阀 组 件**  
**6 英 INLET VALVE ASSEMBLY**

序号 REF. NO.	零件号 PART NUMBER	数量 QTY.	名 称 DESCRIPTION	序号 REF. NO.	零件号 PART NUMBER	数量 QTY.	名 称 DESCRIPTION
1	42379040	1	进气阀 VALVE, INLET 6.0	<b>200 HP/132kw/160kw</b>			
2	39495189	1	联轴器 COUPLING, INLET VALVE	20	39903281	2	空滤芯 ELEMENT, AIR FILTER
2A	95229555	2	键 KEY		39872890	1	空滤芯 ELEMENT, AIR FILTER (HEAVY DUTY FILTER (多尘环境) OPTION - NOT AVAILABLE WITH HOODED OPTION)
3	39494844	1	垫 GASKET, STEPPER MOTOR	21	39494901	2	长螺栓 ROD, TWO ELEMENT
4	39823950	1	步进电机 MOTOR, STEPPER		39311295		长螺栓 ROD, AIR FILTER (HEAVY DUTY FILTER (多尘环境) OPTION - NOT AVAILABLE WITH HOODED OPTION)
4A	39198809	4	螺栓 SCREW	22	39558713	1	顶盖 PLATE, AIR FILTER TOP
5	39494869	1	垫 GASKET, COUPLING COVER	23	39195151	2	橡胶垫圈 WASHER, RUBBER (QTY 4 FOR HOODED VERSION)
6	39494877	1	盖 COVER, COUPLING	24	95933313	2	垫圈 WASHER, FLAT (QTY 4 FOR HOODED VERSION)
6A	39198809	4	螺栓 SCREW	25	95938775	2	蝶形螺母 NUT, WING (QTY 4 FOR HOODED VERSION)
7	39564364	1	限位器 BOARD, PRINTED CIRCUIT	26	95837233	2	堵塞 PLUG, SOCKET
7A	95073946	3	螺栓 SCREW	27	95049359	1	塞 PLUG, SOCKET
8	39494851	1	限位臂 ARM, INDICATOR	28	39479894	1	直接头 ADAPTER, STRAIGHT
8A	39128434	1	螺栓 SCREW	29	39572110	1	软管 HOSE, BLOWDOWN VALVE TO INLET
8B	39128541	1	螺母 NUT	30	95937512	1	直接头 ADAPTER, BLOWDOWN
9	39494836	1	垫 GASKET, CAP PCB	31	39312897	1	放气电磁阀 VALVE, BLOWDOWN, NEMA 1
10	39823943	1	盖 CAP, PRINTED CIRCUIT BOARD	32	95937637	1	放气电磁阀 VALVE, BLOWDOWN, NEMA 4
10A	39198809	4	螺栓 SCREW				直角接头 ELBOW
11	39483151	4	套管 SPACER, INLET VALVE BOLT ISOLATION	<b>HOODED OPTION 多尘空滤罩选项</b>			
12	39483169	4	垫 GASKET, BOLT	19	39569447	1	地板底板 PLATE, AIR FILTER BOTTOM
13	95081618	4	垫圈 WASHER, FLAT	21	39494919	2	长螺栓 ROD, HOOD
14	96715594	4	螺栓 BOLT	33	39842695	1	罩 HOOD, AIR FILTER
15	95946158	1	螺钉 SCREW				
16	39495395	1	导线管接头 GLAND, WIRE				
17	39483144	1	厚垫 GASKET, INLET VALVE ISOLATION				
18	39494885	1	垫 GASKET, AIR FILTER				
19	39569439	1	进气底板 PLATE, AIR FILTER BOTTOM				
<b>125- 150 HP/90kw/110kw</b>							
20	39903281	1	空滤阀 ELEMENT, AIR FILTER				
	39873112	1	空滤芯 ELEMENT, AIR FILTER (HEAVY DUTY (多尘环境) FILTER OPTION - NOT AVAILABLE WITH HOODED OPTION)				
21	39494893	2	长螺栓 ROD, ONE ELEMENT				
	39308960	2	长螺栓 ROD, AIR FILTER (HEAVY DUTY FILTER OPTION (多尘环境) - NOT AVAILABLE WITH HOODED OPTION)				

39882527  
REV 03



VIEWED FROM FRONT

**标准罩壳组件**  
**ENCLOSURE ASSEMBLY**

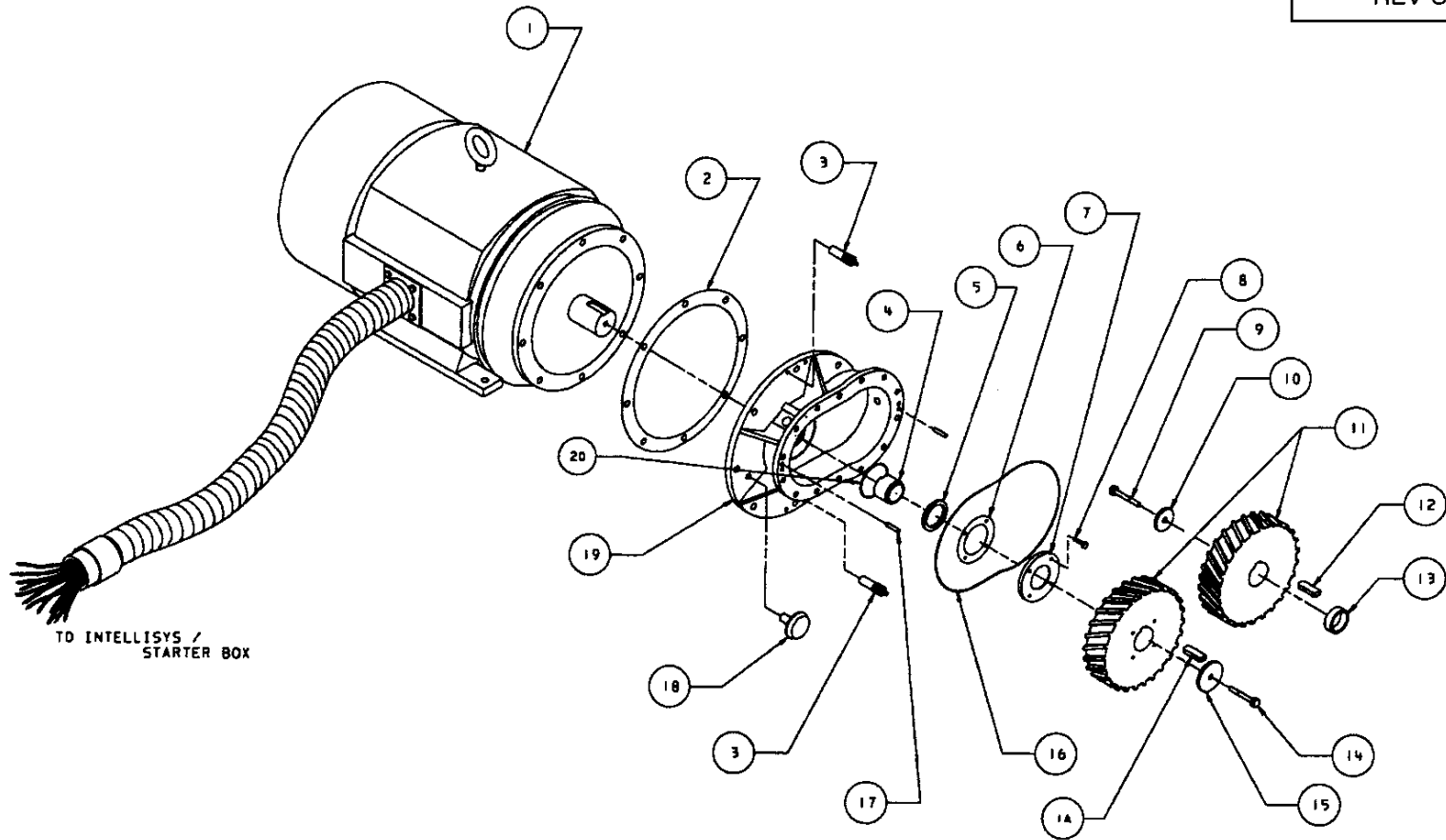
序号 REF. NO.	零件号 PART NUMBER	数量 QTY.	名称 DESCRIPTION	序号 REF. NO.	零件号 PART NUMBER	数量 QTY.	名称 DESCRIPTION
1	54612254	1	进气百叶窗 LOUVER, AIR INTAKE (风冷) (WATER COOLED OUT DOOR MOD. & ALL AIR COOLED)	20A	39133145	8	螺栓 SCREW
	54393061	1	进气面板(水冷)PANEL, AIR INTAKE (WATER COOLED ONLY)	21	39799366	2	泡沫吸音板 FOAM (END)
1A	39133152	8	螺栓(水冷)SCREW (WATER COOLED ONLY)	22	39546668	1	盖板(风冷)PLATE, COVER (AIRCOOLED ONLY)
	39133152	10	螺栓(风冷)SCREW (WATER COOLED OUTDOOR MOD. & ALL AIRCOOLED)	22A	39133152	4	螺栓 SCREW
2	39799127	1	左端支架 ANGLE, LEFT END	23	39799119	1	右端板 PANEL, RIGHT END
2A	39133145	4	螺栓 SCREW	23A	39142690	2	螺栓 SCREW
3	39799168	1	左后角架 CORNER, LEFT REAR	24	39913926	1	泡沫吸音板(下)FOAM
3A	39133145	4	螺栓 SCREW	25	39138490	14	销 PIN, LOCATOR
4	39799291	1	短支架 SUPPORT, SHORT	26	39798772	3	垂直角架 SUPPORT, VERTICAL
4A	39133145	2	螺栓 SCREW	26A	39133145	6	螺栓 SCREW
5	39799200	1	前角支架 ANGLE, FRONT	27	39133954	8	门锁 LATCH, DOOR
5A	39133145	8	螺栓 SCREW	28	39495981	4	叉车孔盖板 COVER, FORKLIFT
6	39798624	2	顶支架 SUPPORT, TOP	28A	39133145	8	螺栓 SCREW
6A	39133145	8	螺栓 SCREW	29	39878434	1	控制箱 STARTER/ INTELLISYS ENCLOSURE (NEMA 1)
7	39798806	1	左顶面板 PANEL, TOP LEFT		39877816	1	控制箱 STARTER/ INTELLISYS ENCLOSURE (NEMA 4)
7A	39142690	8	螺栓 SCREW	29A	39178678	4	螺栓 SCREW
8	39796339	1	泡沫吸音板 FOAM	30	39799242	1	泡沫吸音板 FOAM
9	39798475	1	左后面板 PANEL, LEFT REAR	31	39799044	1	左端面板 PANEL, LEFT END
	39800446	1	左后面板 PANEL, LEFT REAR (NO AFTERCOOLER ONLY)	31A	39142690	2	螺栓 SCREW
9A	39142690	2	螺栓 SCREW	32	39795471	1	上部面板 PANEL, UPPER FRONT
10	39913900	1	泡沫吸音板 FOAM	32A	39133145	4	螺栓 SCREW
	39856901	1	泡沫吸音板(上端)FOAM (NO AFTERCOOLER ONLY)	33	39799341	1	泡沫吸音板 FOAM
11	39798798	1	中顶面板 PANEL, TOP CENTER	34	39799150	1	左前支架 CORNER, LEFT FRONT
11A	39142690	8	螺栓 SCREW	34A	39133145	5	螺栓 SCREW
12	39796321	1	泡沫吸音板 FOAM	35	39799028	1	排气面板 PANEL, DISCHARGE (AFTERCOOLER) (水冷) (WATERCOOLED STD ENCLOSURE)
13	39798780	1	右顶面板 PANEL, TOP RIGHT	54616040		1	排气面板 PANEL, DISCHARGE (AFTERCOOLER) (风冷) (WATERCOOLED OUTDOOR MOD.) (AIRCOOLED)
13A	39142690	8	螺栓 SCREW	39800479		1	PANEL, DISCHARGE (NO AFTERCOOLER) (WATERCOOLED)
14	39796321	1	泡沫吸音板 FOAM	54624515		1	PANEL, DISCHARGE (NO AFTERCOOLER) (WATERCOOLED OUTDOOR MOD.) (AIRCOOLED)
15	39798814	4	通用面板 PANEL, COMMON	35A	39133145	4	螺栓 SCREW
16	39913884	4	泡沫吸音板 FOAM	36	39799267	1	泡沫吸音板 FOAM (WATERCOOLED AFTERCOOLER) (水冷) (WATERCOOLED NO AFTERCOOLER)
17	39799218	1	后角铁 ANGLE, REAR	54624531		1	泡沫吸音板 FOAM (NO AFTERCOOLER) (风冷) (WATERCOOLED OUTDOOR MOD.) (AIRCOOLED)
17A	39133145	8	螺栓 SCREW	37	39913918	1	泡沫吸音板(上)FOAM, UPPER
18	39800537	1	排气网罩 GRILL, EXHAUST	38	39913793	1	泡沫吸音板(下)FOAM, LOWER (AFTERCOOLER ONLY)
18A	39133152	8	螺栓 SCREW	REF	39117312	X	WEATHERSTRIP
19	39799358	2	泡沫吸音板 FOAM (SIDE)				
20	39798483	2	右端角架 CORNER, RIGHT END				

NOTE: STANDARD FASTENERS SUCH AS NUTS, BOLTS AND SCREWS ARE LISTED AS SUB-ITEMS (EXAMPLE: 7A).

X ORDER PER NUMBER OF INCHES REQUIRED.



39917117
REV C



VIEWED FROM FRONT

**传 动 系 统**  
**DRIVE TRAIN ASSEMBLY**

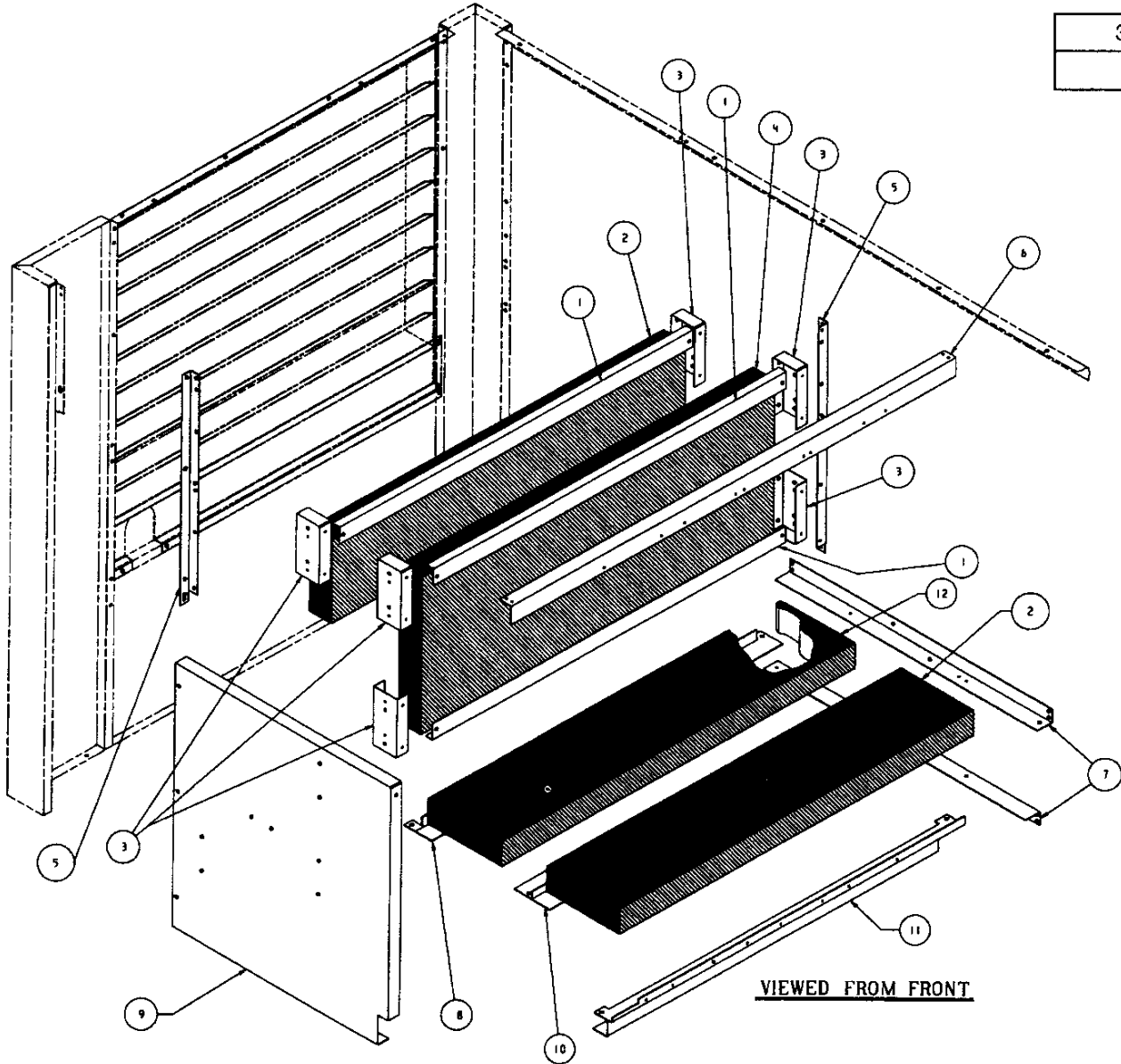
序号 REF. NO.	零件号 PART NUMBER	数量 QTY.	名 称 DESCRIPTION
1	X	1	主电机 MOTOR
1A	X	1	键 KEY, MOTOR
1B	95935201	7	螺栓 BOLT, GEARCASE TO MOTOR
1C	95934378	1	螺栓 BOLT, GEARCASE TO MOTOR
1D	95922928	7	螺母 NUT
2	39454558	1	垫 GASKET, MOTOR TO GEARCASE
3	39194915	2	销 TAPER PIN, GEARCASE TO MOTOR
4	39402300	1	轴套 SLEEVE, SHAFT (125- 200 HP)
	89292460	1	轴套 SLEEVE, SHAFT (90- 110 KW)
	89292478	1	轴套 SLEEVE, SHAFT (132- 160 KW)
5	39311501	1	密封 SEAL, SHAFT (125- 200 HP)
	89244024	1	密封 SEAL, SHAFT (90- 110 KW)
	89292445	1	密封 SEAL, SHAFT (132- 160 KW)
6	39454566	1	垫 GASKET, SEAL (125- 200 HP)
	95023107	1	O 型圈 O-RING, SEAL (90- 110 KW)
	95023388	1	O 型圈 O-RING, SEAL (132- 160 KW)
7	39403803	1	密封盒 HOUSING, SEAL (125- 200 HP)
	89244040	1	密封盒 HOUSING, SEAL (90- 110 KW)
	89292452	1	密封盒 HOUSING, SEAL (132- 160 KW)
8	95929154	4	螺栓 SCREW
9	39191283	1	螺栓 SCREW, MALE ROTOR
10	35255819	1	主机压板 RETAINER PLATE, MALE ROTOR
11	XX	1	齿轮组 GEAR SET
12	39167150	1	键 KEY, MALE ROTOR TO GEAR
13	39326483	1	垫圈 SPACER, GEAR MALE ROTOR
14	95929170	1	螺栓 SCREW (125- 200 HP)
	95013785	1	螺栓 SCREW (90- 160 KW)
15	39109129	1	压板 RETAINER PLATE (125- 200 HP)
	39109129	1	压板 RETAINER PLATE (90- 110 KW)
	92539311	1	压板 RETAINER PLATE (132- 160 KW)
16	39253992	1	O 型圈 O- RING GEARCASE TO FRONT BEARING HOUSING
17	95239919	2	销 PIN, GEARCASE TO FRONT BEARING HOUSING
18	39112362	1	透气帽 BREATHER, SEAL SCAVENGE
19	39797550	1	齿轮箱 GEARCASE (125- 200 HP)
	39797550	1	齿轮箱 GEARCASE (90- 110 KW)
	54387485	1	齿轮箱 GEARCASE (132- 160 KW)
20	95991642	1	O 型圈 O- RING, SEAL (90- 110 KW)
	95022125	1	O 型圈 O- RING, SEAL (132- 160 KW)

X FURNISH MOTOR PART NO. (STAMPED ON MOTOR NAMEPLATE) WHEN ORDERING REPLACEMENT.

XX GEAR SET PART NO. LOCATED ON GEARCASE (ITEM 19).

NOTE: STANDARD FASTENERS SUCH AS NUTS, BOLTS AND SCREWS ARE LISTED AS SUB- ITEMS (EXAMPLE: 1A).

39800404  
REV 08

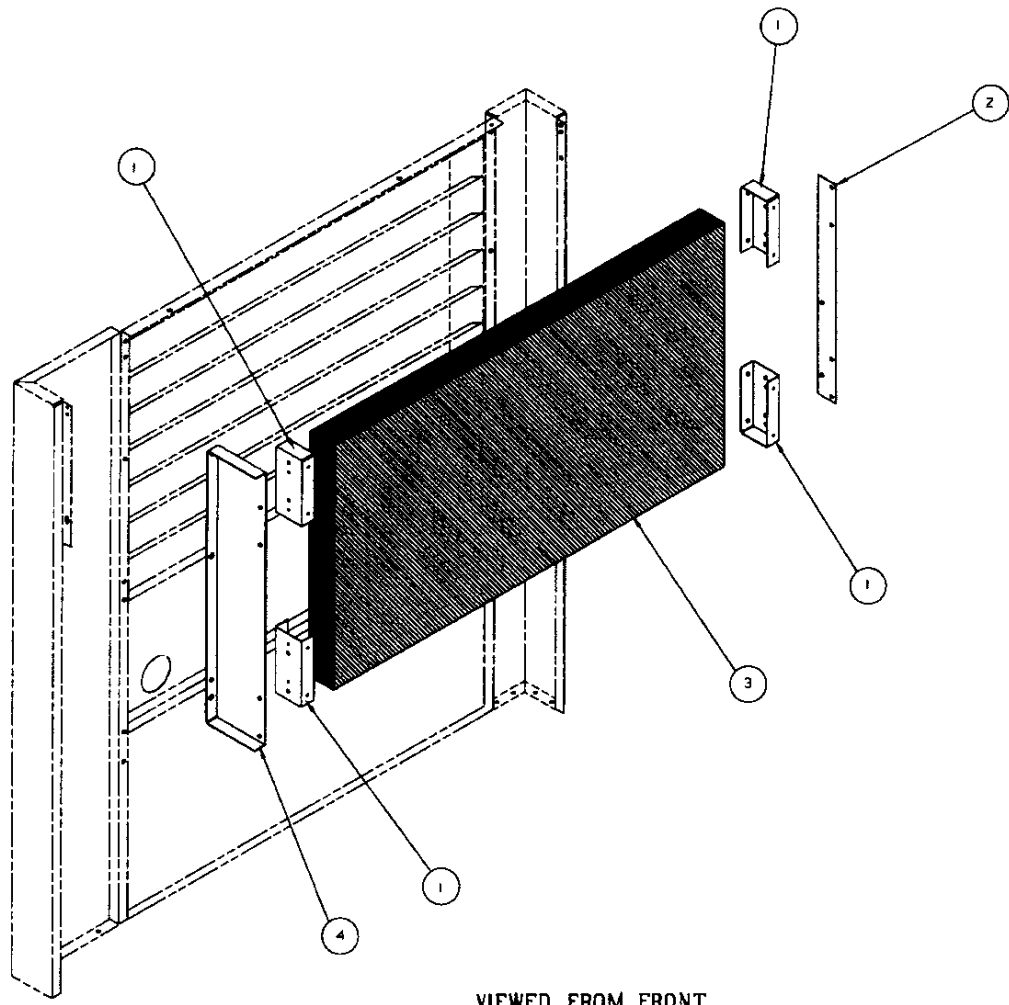


**风 冷 却 进 气 组 件**  
**AIRCOOLED INTAKE ASSEMBLY**

序号 REF. NO.	零件号 PART NUMBER	数量 QTY.	名 称 DESCRIPTION
1	39546981	3	吸音板支撑 BRACE, ANGLE BATT
1A	39133145	6	螺栓 SCREW
2	39799002	2	吸音板 BATT, SMALL
3	39798616	6	吸音板保持架 RETAINER, BATT
3A	39133145	12	螺栓 SCREW
4	39798996	1	吸音板 BATT, LARGE
5	39798921	2	支架 SUPPORT, ANGLE BATT
5A	39133145	4	螺栓 SCREW
6	39798855	1	上角支架 SUPPORT, UPPER ANGLE
6A	39133145	5	螺栓 SCREW
7	39798962	2	后角架 SUPPORT, REAR ANGLE
7A	39133145	8	螺栓 SCREW
8	54614060	1	端部保持角架 SUPPORT, BOTTOM ANGLE
8A	39133145	6	螺栓 SCREW
9	39911250	1	消音档板 WALL, SILENCER
9A	39133145	3	螺栓 SCREW
10	54614078	1	吸音板中部保持架 SUPPORT, BATT
11	39911243	1	角支架 SUPPORT, AFTERCOOLER
11A	39133145	3	螺栓 SCREW
12	39858444	1	吸音板 BATT, SMALL

NOTE: STANDARD FASTENERS SUCH AS NUTS, BOLTS AND SCREWS ARE LISTED AS SUB- ITEMS (EXAMPLE: 7A).

39800412
REV 01



VIEWED FROM FRONT

**水 冷 进 气 组 件**  
**WATERCOOLED INTAKE ASSEMBLY**

序号 REF. NO.	零件号 PART NUMBER	数量 QTY.	名 称 DESCRIPTION
1	39798616	4	吸音板保持架 RETAINER, BATT
1A	39133145	8	螺栓 SCREW
2	39546940	1	支架 SUPPORT, BACK PLATE
2A	39133145	2	螺栓 SCREW
3	39800792	1	吸音板 BATT
4	39546932	1	吸音板支架 SUPPORT, BATT
4A	39133145	2	螺栓 SCREW

WATERCOOLED NOTE: STANDARD FASTENERS SUCH AS NUTS, BOLTS AND SCREWS ARE LISTED AS SUB- ITEMS (EXAMPLE: 4A).

**SAE接头圈O型圈**  
**O-RINGS FOR SAE FITTINGS**

零件号 Part No.	螺纹尺寸 Size/ Thread	内径 ID	宽 Width	管尺寸 Tube Size
39404157	7/16-20	0.351	0.072	1/4
39404132	9/16-18	0.468	0.078	3/8
39404165	3/4-16	0.644	0.087	1/2
39437074	7/8-14	0.755	0.097	5/8
39407531	1- 1/16-12	0.924	0.116	3/4
39404173	1- 5/16-12	1.171	0.116	1
39404140	1- 5/8-12	1.475	0.118	1-1/4
39406996	1- 7/8-12	1.72	0.118	1-1/2
39410279	2- 1/2-12	2.337	0.118	2

**备件清单**  
**SSR 125-200(90-160 KW) HP SPARE PARTS**

序号	零件号	数量	名称
COMPRESSOR PART	PART NO.	QTY. PER UNIT	LOCATION OR USE
超级冷却剂 Ultra Coolant - (5 Gal. Container)	39433735	6	加 30 加仑(113.6)升 Fill (30 Gallons) (113.6 L)
空滤器 Air Filter Element (125-150HP/90-110KW)	39903281	1	主机进气口 At Airend Inlet
空滤器 Air Filter Element (200 HP/132-160 KW)	39903281	2	主机进气口 At Airend Inlet
油过滤器芯 Coolant Filter Element	39911631	2	在油过滤器上 On Coolant Filter
油分离芯 Separator Element	54509427	1	在油分离器内 In Separator Tank
温控阀芯 Valve Element	39437645	1	温控阀内部 In Thermostatic Control Valve
温控阀 Thermostatic Control Valve	39478193	1	冷却器与油过滤器之间 Between Cooler & Oil Filter
软管 Hose	39572300	1	分离器到油冷却器(水冷) Separator Tank to Oil Cooler (Watercooled)
软管 Hose	39572441	1	分离器到油冷却器(风冷) Separator Tank to Oil Cooler (Aircooled)
软管 Hose	39572482	1	温控阀到油过滤器 Thermostatic Valve to Oil Filter
软管 Hose	39572110	1	放气阀到进气阀 Blowdown Valve To Inlet
软管 Hose	39572136	1	进水 Water Inlet Line
软管 Hose	39572557	1	冷却器到水分离器 Cooler to Water Separator
放气电磁阀 N1Blowdown Solenoid Valve NEMA 1	39312897	1	放气至进气阀 On Inlet Valve (3SV)
放气电磁阀 N4Blowdown Solenoid Valve NEMA 4	39312905	1	放气至进气阀 On Inlet Valve (3SV)
放气电磁阀组件 Blowdown Solenoid Valve Rebuild Kit	39225255	0	NEMA 1 & NEMA 4
断油阀 N1 Oil Stop Solenoid Valve NEMA 1	39318233	1	油过滤器系统 In Oil Filter Line (5SV)
断油阀 N4 Oil Stop Solenoid Valve NEMA 4	39318241	1	油过滤器系统 In Oil Filter Line (5SV)
断油阀组件 Oil Stop Solenoid Valve Rebuild Kit	39238639	0	NEMA 1 & NEMA 4
温度开关 High Air Temperature Switch	39419668	1	主机 In Airend (1ATS)
O 型圈 O-Ring	39404165	1	在温度开关上 On HATS
压差开关 Coolant Filter ΔP Switch	39244512	1	油过滤器支架上 On Coolant Filter Mounting Bracket (1DPS)
进气阀 Inlet Valve Assembly	42379040	1	在空滤器下 Under Air Filter
联轴器 Inlet Valve Coupling	39495189	1	进气阀与步进电机之间 Between Valve & Stepper Motor
步进电机 Stepper Motor	39823950	1	进气阀上 On Inlet Valve
限位装置 Stepper Motor Limit Board	39564364	1	进气阀上 On Inlet Valve
空滤器垫 Air Filter Gasket	39494885	1	空滤器下 Under Air Filter
进气阀垫 Gasket	39483144	1	进气阀下 Under Inlet Valve
最小压力阀 Minimum Pressure Valve	39477369	1	分离器顶部 Separator Tank Discharge Line
最小压力阀组件 Minimum Pressure Valve Rebuild Kit	37951761	0	用于最小压力阀 For Minimum Pressure Valve
O 型圈 O-Ring	95022372	1	最小压力阀下 Minimum Pressure Valve To Separator Tank
回气过滤器 Breather Filter	39112362	1	齿轮箱上 On Gearcase Wall
定位销 Dowel Pin	95239919	2	齿轮箱与主机 Gearcase to Airend
定位销 Dowel Pin	39194915	2	齿轮箱与电机 Gearcase to Motor
轴套 Sleeve, Shaft (125-200 HP)	39402300	1	电机轴 On Motor Shaft
轴套 Sleeve, Shaft (90-110 KW)	89292460	1	电机轴 On Motor Shaft
轴套 Sleeve, Shaft (132-160 KW)	89292478	1	电机轴 On Motor Shaft
密封 Seal, Shaft (125-200 HP)	39311501	1	电机轴 On Motor Shaft
密封 Seal, Shaft (90-110 KW)	89244024	1	电机轴 On Motor Shaft
密封 Seal, Shaft (132-160 KW)	89292445	1	电机轴 On Motor Shaft
垫 Gasket seal(125-200 HP)	39454566	1	密封盒上 Under Seal Housing
O 型圈 O-Ring(90-110 KW)	95023107	1	密封盒上 Under Seal Housing
O 型圈 O-Ring(132-160 KW)	95023388	1	密封盒上 Under Seal Housing
垫 Gasket	39454558	1	电机与主机 Motor to Gearcase
止逆阀 Discharge Check Valve	39479852	1	主机排气到分离器 Airend Discharge to Separator Tank
垫 Gasket	39487434	2	止逆阀前后 Both Sides of Check Valve
风扇 Fan, 40 英(Aircooled Only) 60 Hz	39923628	1	风扇电机轴上 On Fan Motor Drive Shaft
风扇 Fan, 40 英(Aircooled Only) 50 Hz	39911649	1	风扇电机轴上 On Fan Motor Drive Shaft
风扇 Fan, 24 英(Watercooled Only) 60 Hz	39197835	1	风扇电机轴上 On Fan Motor Drive Shaft
风扇 Fan, 24 英(Watercooled Only) 50 Hz	54569546	1	风扇电机轴上 On Fan Motor Drive Shaft
安全阀 Pressure Relief Valve	39588058	1	在分离器上 On Separator Tank
定位销 Panel Locator Pins	39138490	12	底座上 On Base
熔断芯 Transformer Fuse (2.0A)	39113535	1	开关箱控制板上 In Starter Box (Remote Starter) (4FU)
熔断芯 Transformer Fuse (2.5A)	39178728	2	开关箱控制板上 In Starter Box - 85/110A (1FU)
熔断芯 Transformer Fuse (3.2A)	39113527	1	开关箱控制板上 In Starter Box - 85/110A (2FU)



**备件清单**  
**SSR 125-200(90-160 KW) HP SPARE PARTS**

序号	零件号 QTY. PART NO.	数量 PER UNIT	名称 LOCATION OR USE
<b>COMPRESSOR PART</b>			
熔断芯 Transformer Fuse (3.5 A)	39178736	2	控制箱内 In Starter Box - 180/250/300A (1FU)
熔断芯 Transformer Fuse (5.0 A)	39118484	1	控制箱内 In Starter Box - 180/250/300A (2FU)
熔断芯 Transformer Fuse (5.0 A)	39242458	1	控制箱内 In Starter Box - 85/110/180/250/300A (3FU) & Remote Starter (5FU)
电源指示灯 Power On Light (110/120V)	39196225	1	控制板上 On Starter Back Panel
电源指示灯 Power On Light (24V)	39485032	1	控制箱内 On Intellisys Panel
灯泡 Power On Light Bulb (24V)	39485024	1	24V Power On Light
紧急停机按钮 Emergency Stop Switch	39549167	1	控制箱内 On Intellisys Panel
压力传感器 Pressure Sensor (0-225 PSIG)	39875539	2	控制箱内 On Starter Box (3APT, 4APT, 6APT)
压力传感器 Pressure Sensor (0-15 PSIG)	39877618	1	控制箱内 On Starter Box (1AVPT)
温度传感器 Temperature Sensor	39560628	3	主机 In Airend (2ATT) 后冷却器 Aftercooler (4ATT),
SG 智能控制器 Controller, Intellisys	39875158	1	开关箱内 In Starter Box
垫 Gasket, Controller	39874375	1	开关箱内 智能控制器下 Intellisys to Starter Box
绕组 Coil, for 60/85 Amp Contactors	39251335	*	接触器上 In 60/85 Amp Contactor
绕组 Coil, for 75 Amp Contactor	39251343	*	接触器上 In 75 Amp Contactor
绕组 Coil, for 110 Amp Contactor	39251350	*	接触器上 In 110 Amp Contactor
绕组 Contact Kit, for 110 Amp Contactor	39251392	*	接触器上 In 110 Amp Contactor
绕组 Coil, for 180 Amp Contactor	39251368	*	接触器上 In 180 Amp Contactor
绕组 Contact Kit, for 180 Amp Contactor	39251400	*	接触器上 In 180 Amp Contactor
绕组 Coil, for 250 Amp Contactor	39251376	*	接触器上 In 250 Amp Contactor
绕组 Contact Kit, for 250 Amp Contactor	39251418	*	接触器上 In 250 Amp Contactor
绕组 Coil, for 300 Amp Contactor	39251376	*	接触器上 In 300 Amp Contactor
绕组 Contact Kit, for 300 Amp Contactor	39251384	*	接触器上 In 300 Amp Contactor
过载继电器 Overload Relay	39251087	*	用于 85 Amp 接触器 For 85 Amp Contactor
过载继电器 Overload Relay	39251095	*	用于 110 Am 接触器 For 110 Amp Contactor
过载继电器 Overload Relay	39251103	*	用于 180 Amp 接触器 For 180 Amp Contactor
过载继电器 Overload Relay	39253158	*	用于 250/300 Amp 接触器 For 250/300 Amp Contactors
连锁装置 Mechanical/Electrical Interlock	39251194	*	用于 110/180/250/300 接触器 For 110/180/250/300 Amp Contactors
辅助开关 Auxiliary Contact 4 N.O.	39251129	*	用于 85 Amp 接触器 For 85 Amp Contactors
辅助开关 Auxiliary Contact 1 N.O./1 N.C.	39251137	*	用于 85 Amp 接触器 For 85 Amp Contactors
辅助开关 Auxiliary Contact 2 N.O./2 N.C.	39251145	*	用于 60 Amp 接触器 For 60 Amp Contactors
辅助开关 Auxiliary Contact 2 N.O.	39251160	*	用于 110/180/250/300 Amp 接触器 For 110/180/250/300 Amp Contactors
辅助开关 Auxiliary Contact 1 N.O.	39251152	*	用于 110/180/250/300 Amp 接触器 For 110/180/250/300 Amp Contactors
辅助开关 Auxiliary Contact 1 N.O./1 N.O.	39251178	*	用于 75/110/180/250/300 Amp 接触器 For 75/110/180/250/300 Amp Contactors
风扇手动开关 Fan Motor Starter 2.5A	39251228	*	风扇电机线路中 Fan Motor Circuit
风扇手动开关 Fan Motor Starter 4A	39251236	*	风扇电机线路中 Fan Motor Circuit
风扇手动开关 Fan Motor Starter 6.3A	39251244	*	风扇电机线路中 Fan Motor Circuit
风扇手动开关 Fan Motor Starter 10A	39251251	*	风扇电机线路中 Fan Motor Circuit
风扇手动开关 Fan Motor Starter 16A	39251269	*	风扇电机线路中 Fan Motor Circuit
风扇手动开关 Fan Motor Starter 20A	39251277	*	风扇电机线路中 Fan Motor Circuit
风扇手动开关 Fan Motor Starter 32A	39252827	*	风扇电机线路中 Fan Motor Circuit
开关 Trip Switch w/32A	39252952	*	用于 32A 电机启动器 Use with 32A Motor Starter
辅助触点 Auxiliary Contact for Fan Motor Starter 1 N.O.	39251285	1	In Fan Motor Starter 在风扇电机启动器上
电源滤波器 A.C. Line Filter	39201918	1	开关箱内 In Starter Box
步进电机电源 Power Supply Board	39874425	1	开关箱内 In Starter Box
贴花组件 Decal Kit	39244355	1	英文机组 All English Units
步进电机 Stepper Motor Kit	42374942	1	进气阀上 On Inlet Valve
连轴器组件 Coupling Set	39181219	1	步进电机和进气阀之间 Between Stepper Motor and Inlet Valve



勘误页 CORRIGENDA

The main body of the page is a large, empty rectangular frame, intended for the listing of corrections or errata.

英格索兰空气系统组团(中国区)销售总部  
地址: 上海天钥桥路 30 号美罗大厦 408 室(200030)  
电话: 021-64384310  
传真: 021-64385113

英格索兰空气系统组团(中国区)备件营运部  
地址: 上海闵行华宁路 1699 号(200030)  
电话: 021-64098668 64098268  
传真: 021-64098868

英格索兰空气系统组团(中国区)服务支持  
地址: 上海江杨南路 131 号(200434)  
电话: 021-66838385 66838620  
传真: 021-66832228